



A guide to changing half/half support layers

## Premium Adapt Mattress

(Previously Mattress Plus)

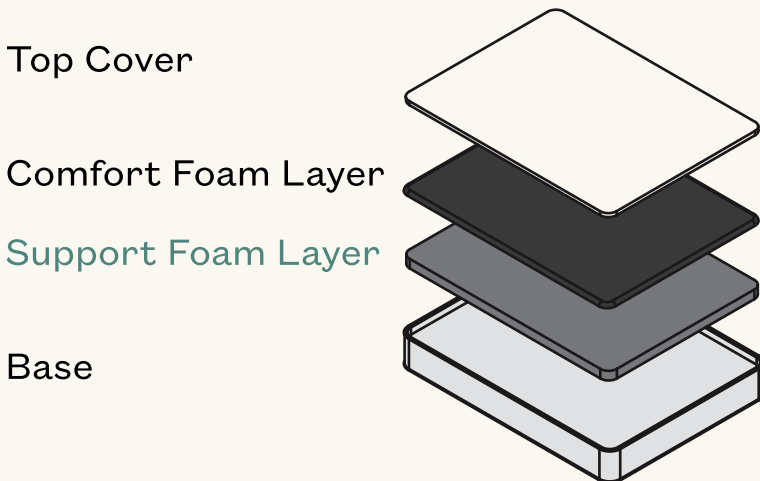
Life is better together.  
Please assemble with  
two people.



The Premium Adapt Mattress contains two foam layers that can be arranged to customise the firmness level of your mattress.

You will be replacing your Support layer with two half Support layers.

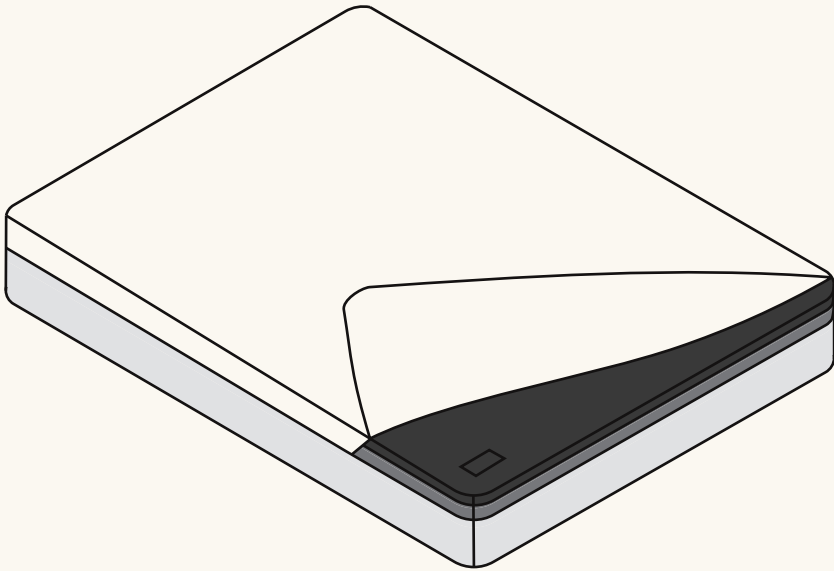
Watch the assembly video [here](#).



Note: Please refrain from pulling the foam layers out of their mesh covers as they are difficult to put back on.

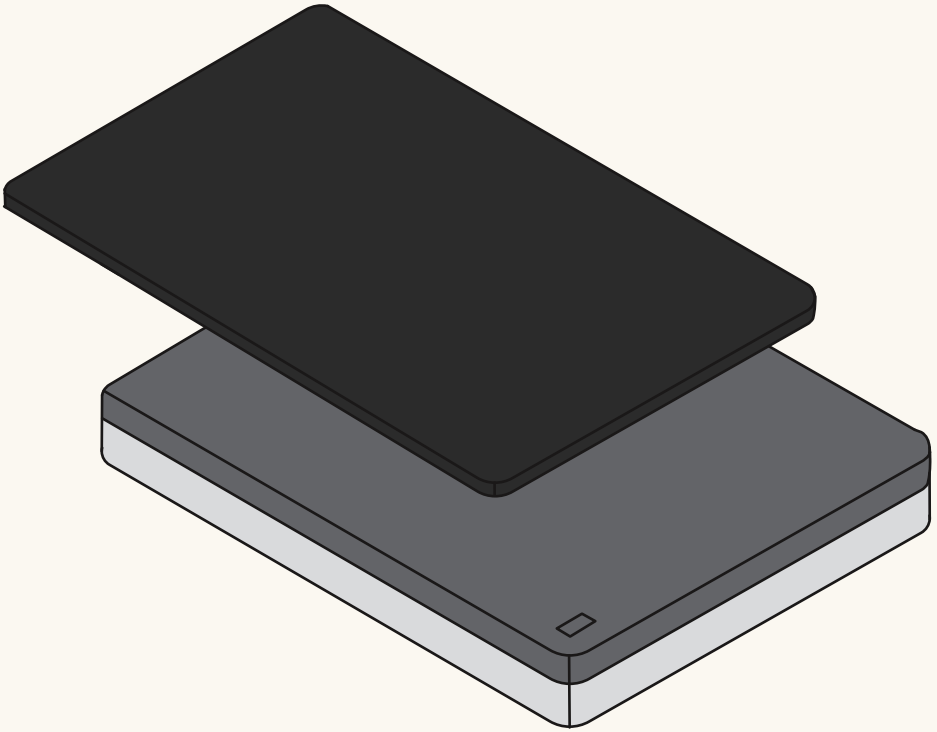
1.

Unzip the removable cover.



## 2.

Remove Comfort layer.



**Comfort Layer**

**Comfort Layer**

**Side A**

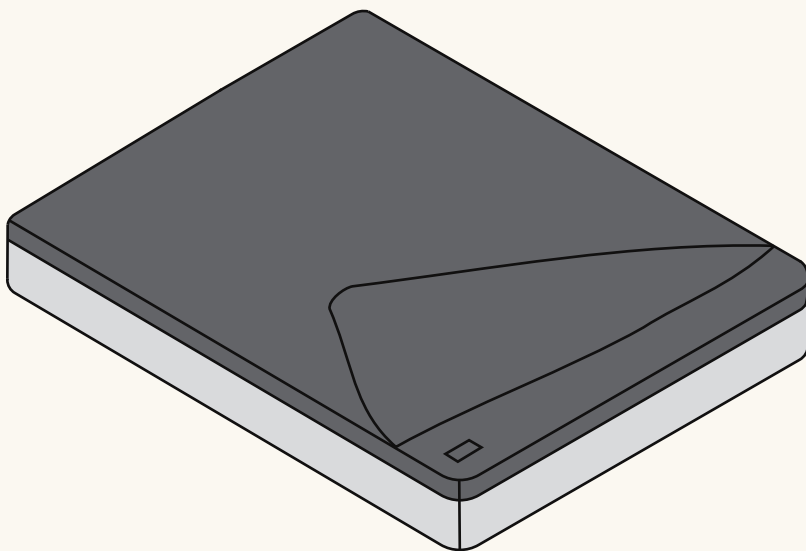


**Side B**



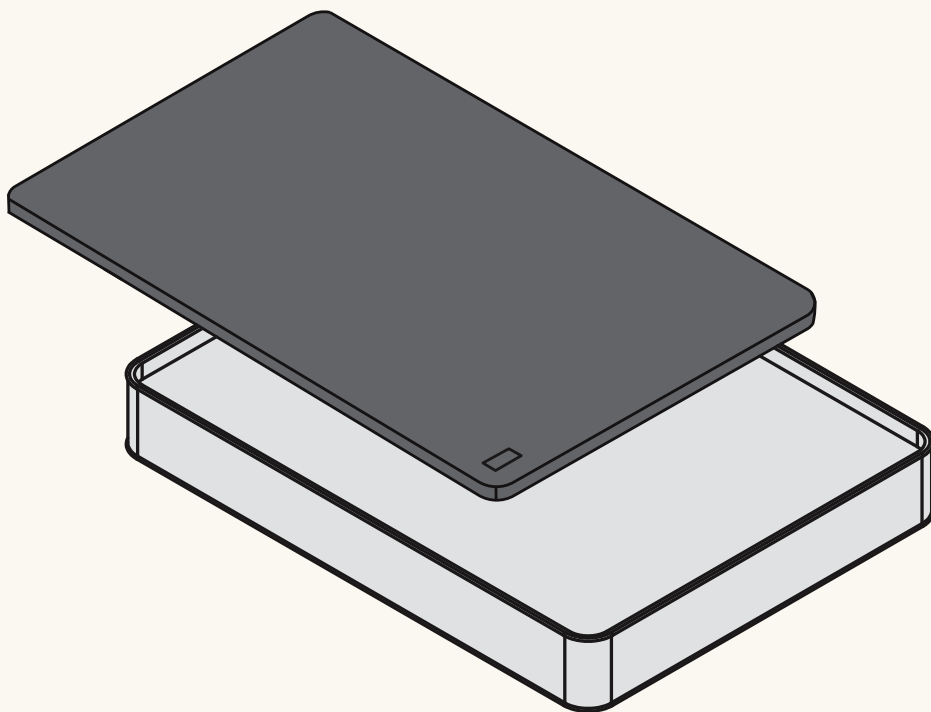
### 3.

Unzip inner cover.



# 4.

Remove the Medium Support layer.



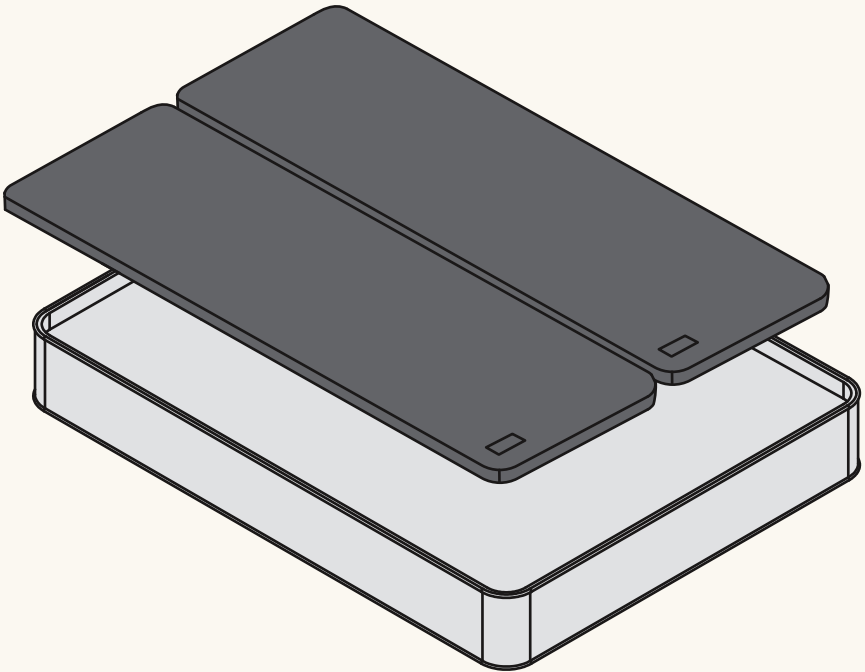
Support Layer

Medium



# 5.

Place your two new half Support layers on the base.

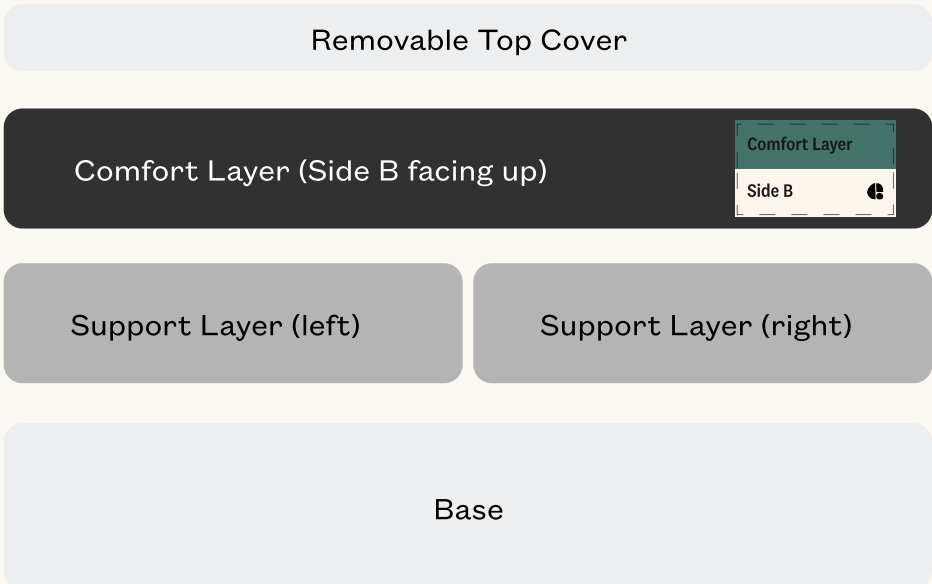




# 6.

Complete steps 1-3 in reverse to finish assembly.

Your layers should be arranged as below.



Note: If your half/half Support layers are placed on top, you may notice a slight gap between them when lying on the mattress.