

# A guide to your Kino Storage →



Life's better together.  
Please assemble  
with two people.

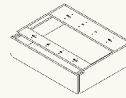


# What comes with your Kino Storage

## Box 1/1

---

1x Storage unit



1x King and queen slats



1x Double slats



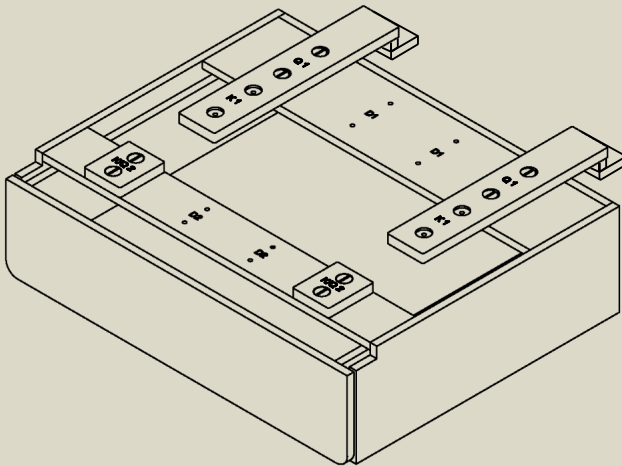
1x Double tilt blocks



6x Coin screws



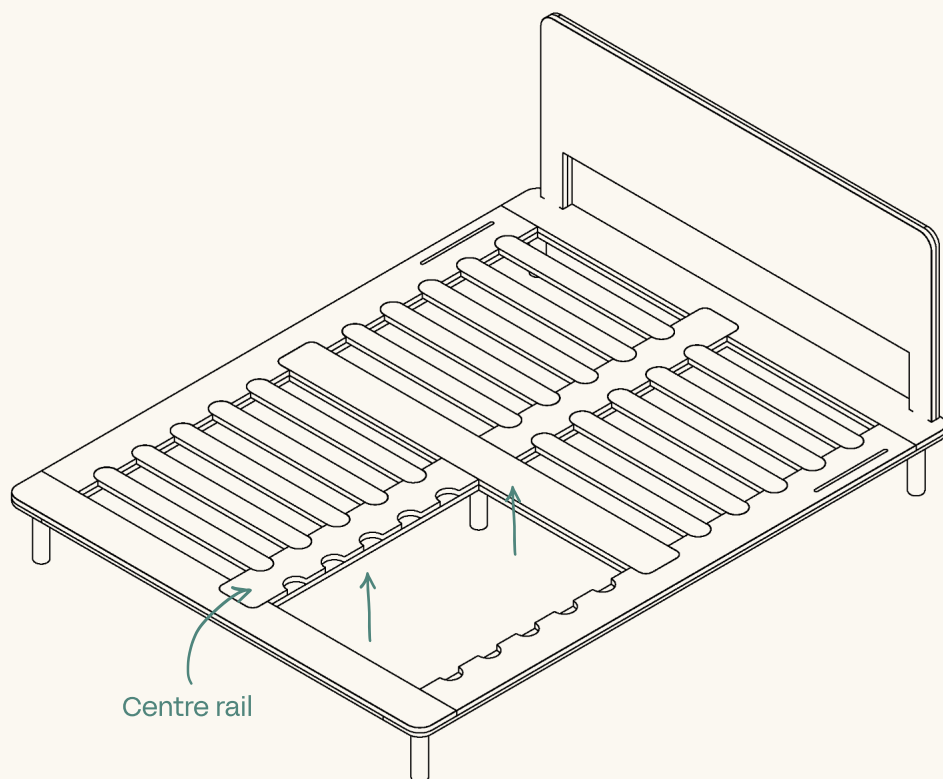
# Let's assemble your Kino Storage



# 1.

Start by removing a few slats to make space for your Kino Storage.

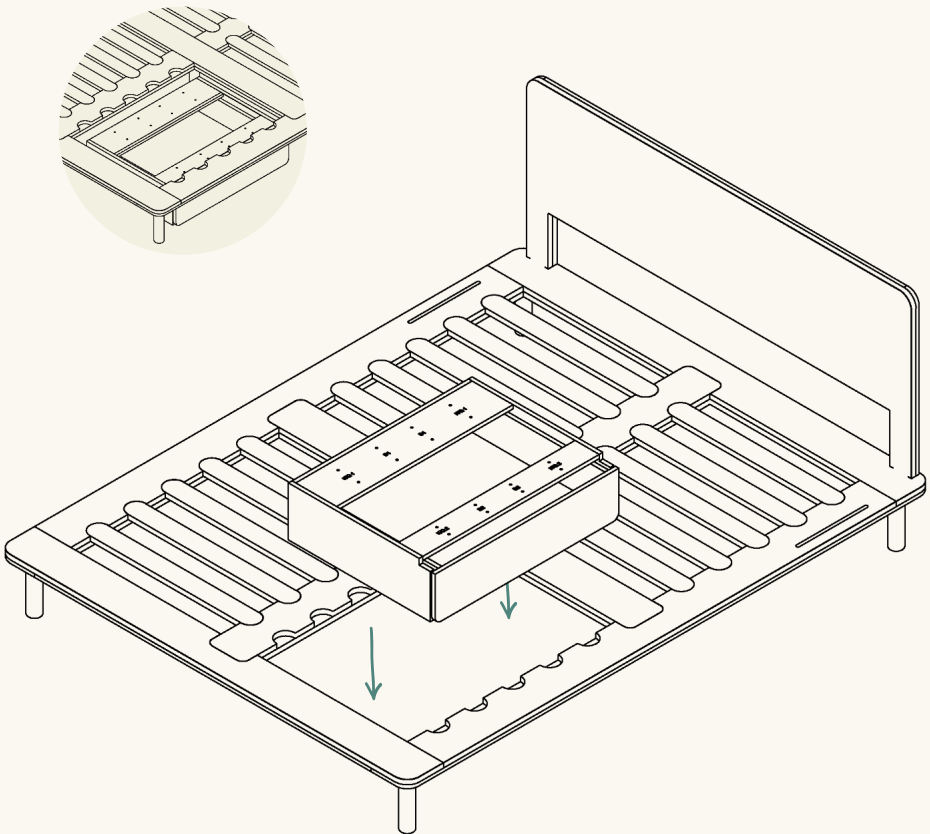
Tip: If you have a double bed, you'll need to remove all slats and the centre rail to install your Kino Storage.



# 2.

## Gently lower your Kino Storage into the bed frame.

Tip: For easier installation, place hands on the outside of the unit and have one person guide one side while another guides the other side.



# 3.

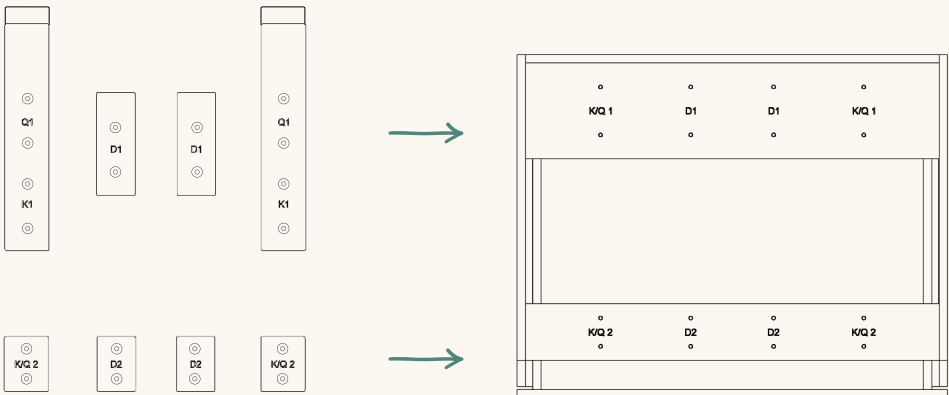
## Select the appropriate slats to install onto your Kino Storage unit.

Tip: Look for the letters engraved on both the slats and your Kino Storage unit. Match these letters to create a configuration appropriate for your bed frame size:

"K" for King

"Q" for Queen

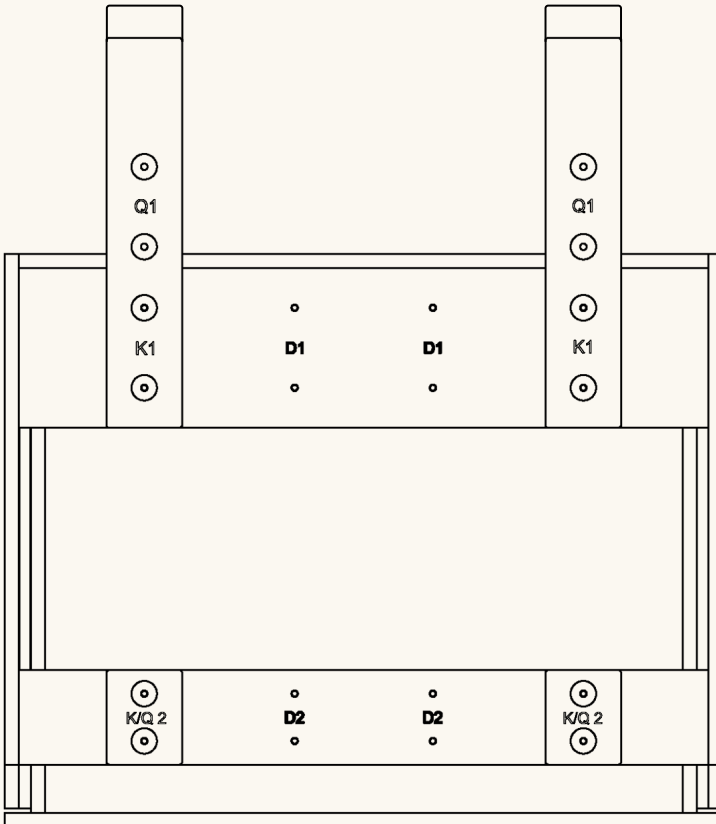
"D" for Double



# King Configuration

If you have a King bed frame, install the slats like this.

Tip: The king sized slats have K1 and K/Q2 engraved on them.

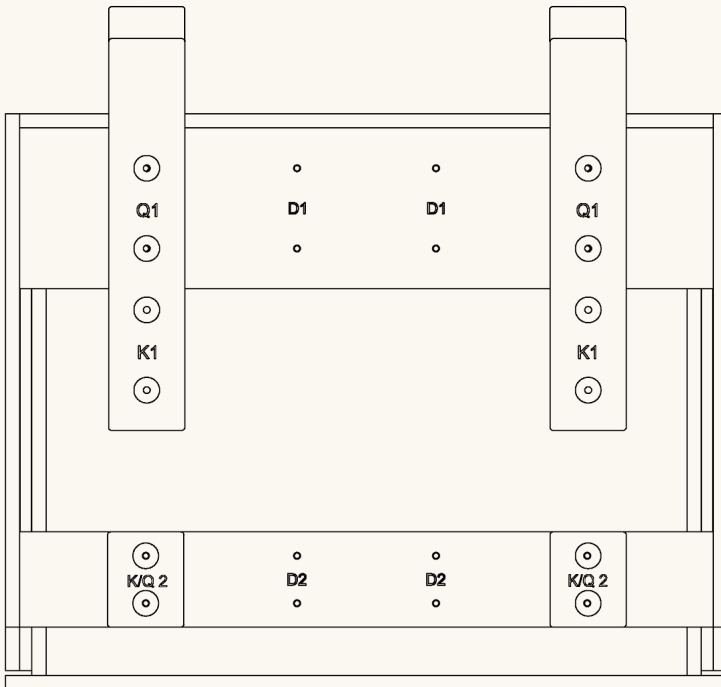




# Queen Configuration

If you have a Queen bed frame, install the slats like this.

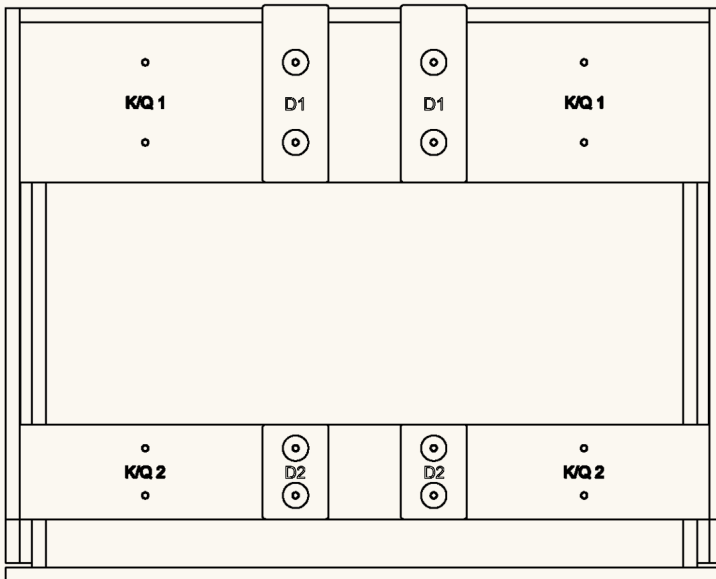
Tip: The queen sized slats have Q1 and K/Q2 engraved on them.



# Double Configuration

If you have a Double bed frame, install the slats like this.

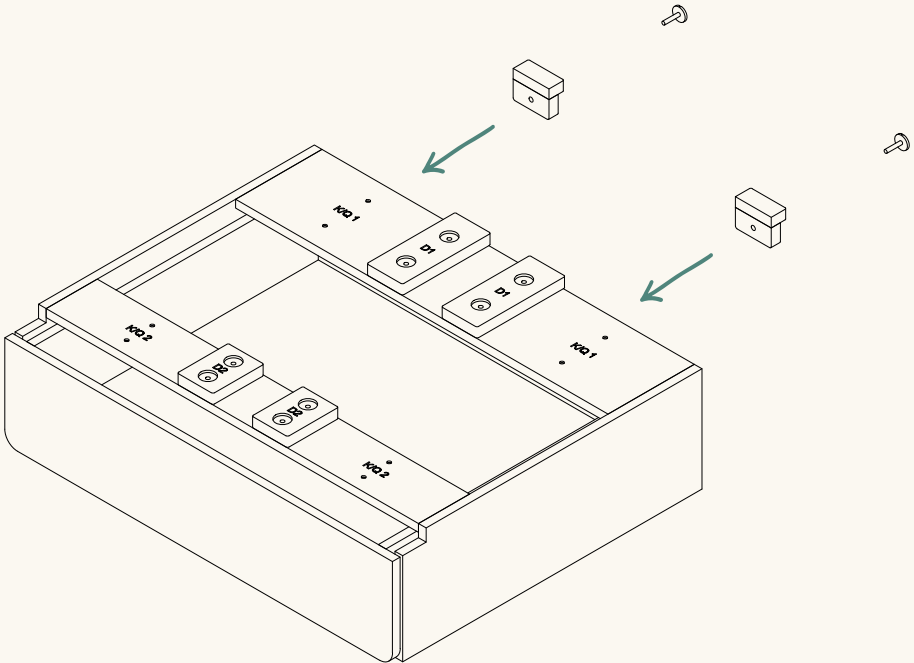
Tip: The double sized slats have D1 and D2 engraved on them.



# Double Configuration

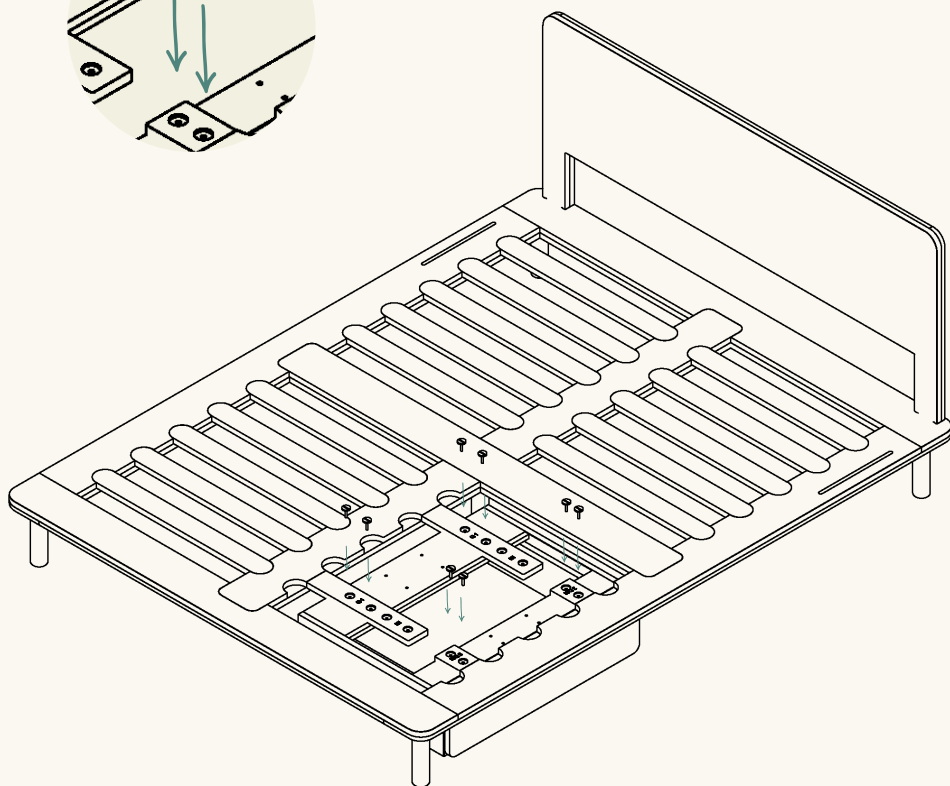
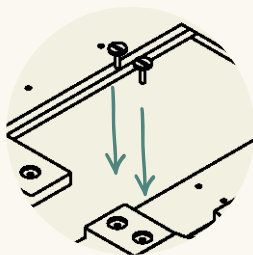
If you have a Double bed frame, use the coin screws to install the tilt blocks onto the back of the unit.

Tip: The coin screw holes are located on the back panel of the Kino Storage.



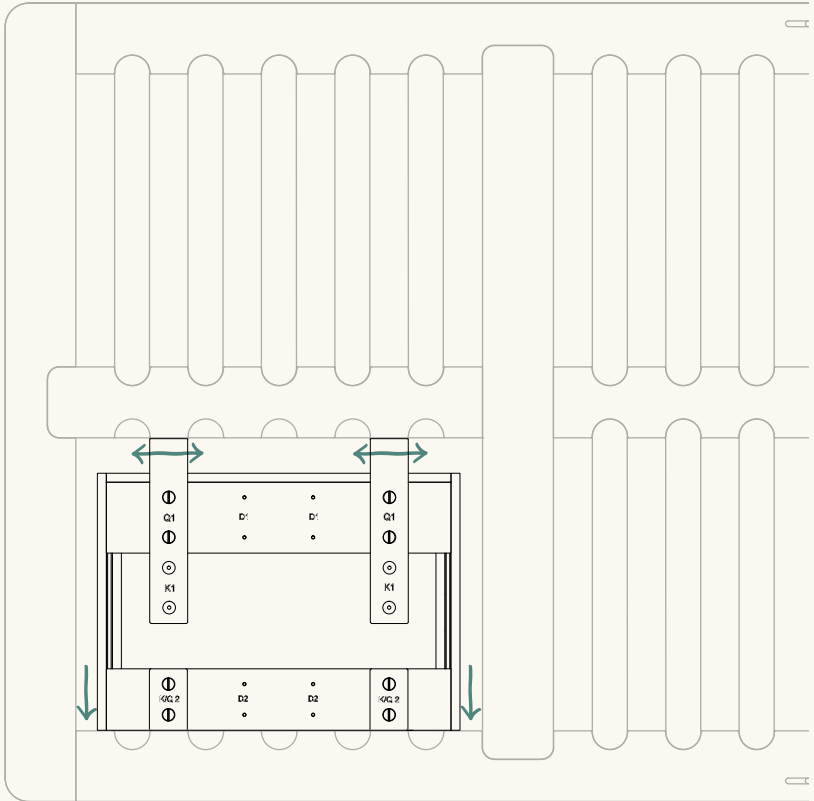
# 4.

Use the coin screws to fix the slats into place.



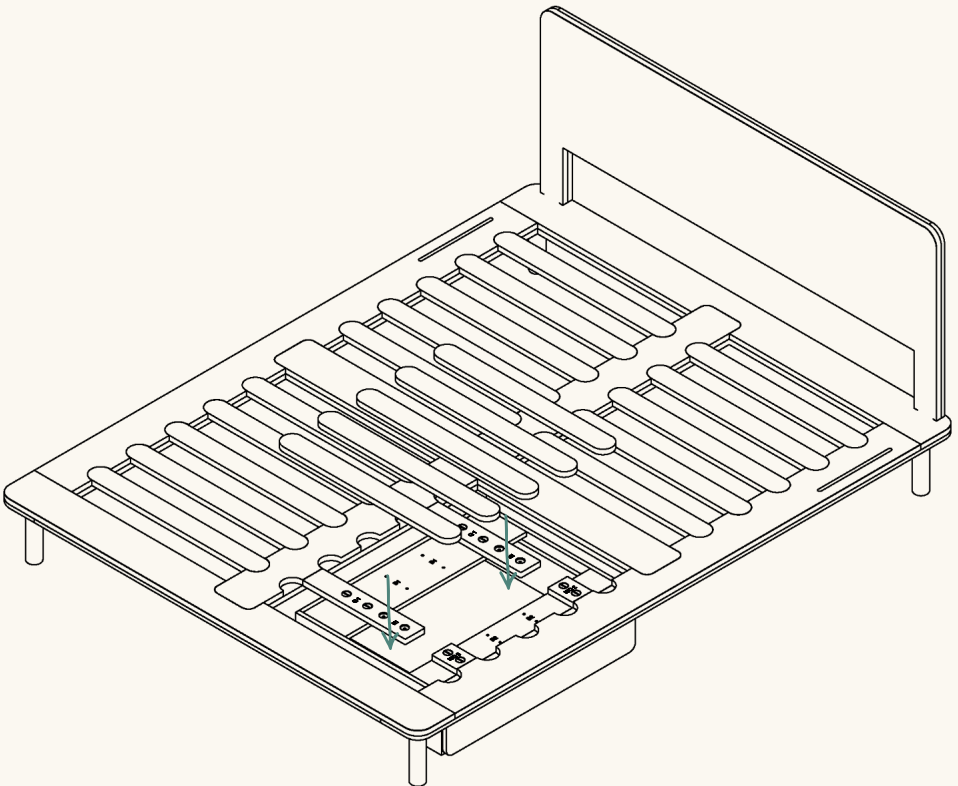
# 5.

Adjust your Kino Storage to fit between the bed slats and align flush with the side rail.



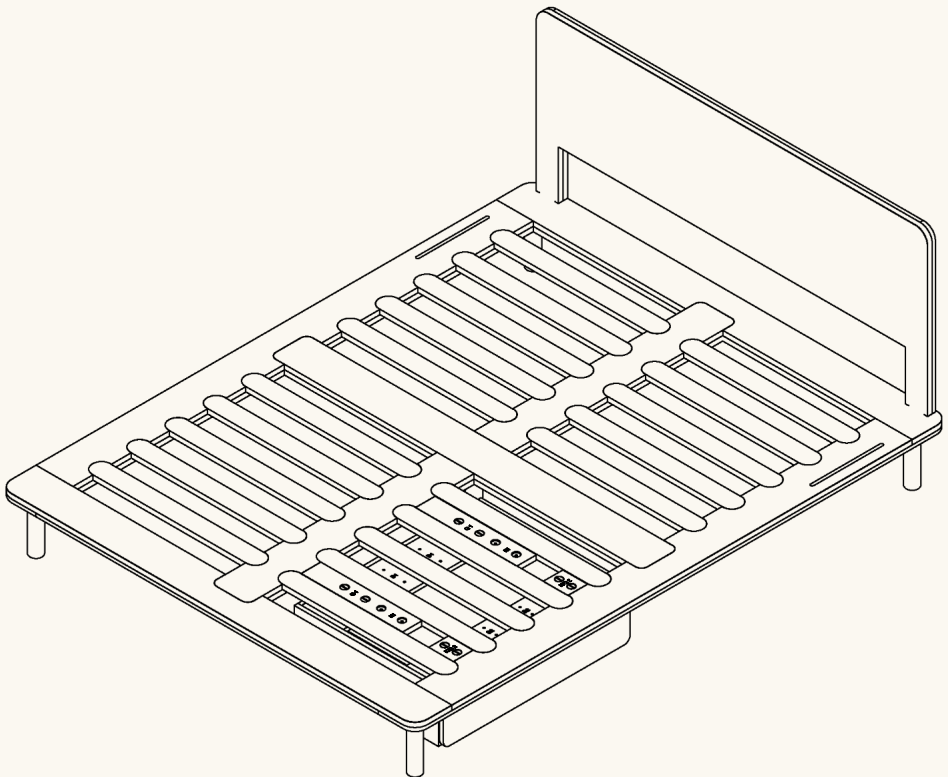
# 6.

Place the slats that were removed earlier back onto the bed frame.



All done!

Repeat the previous steps if you have another Kino Storage to assemble.



Enjoy your Kino Storage!

