

A guide to your Kino Storage →



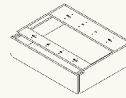
Life's better together.
Please assemble
with two people.



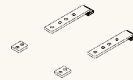
What comes with your Kino Storage

Box 1/1

1x Storage unit



1x King and queen slats



1x Double slats



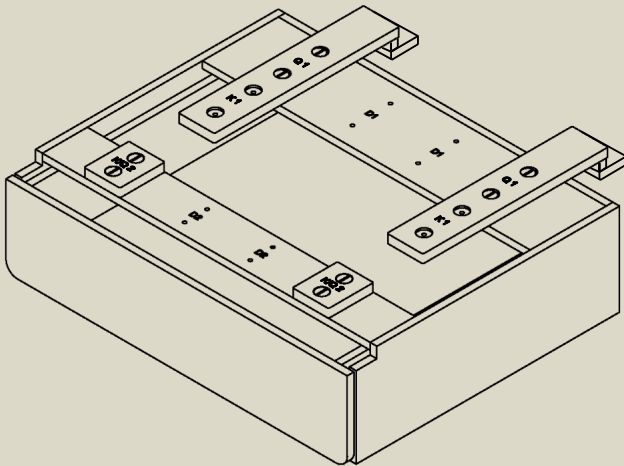
1x Double tilt blocks



6x Coin screws



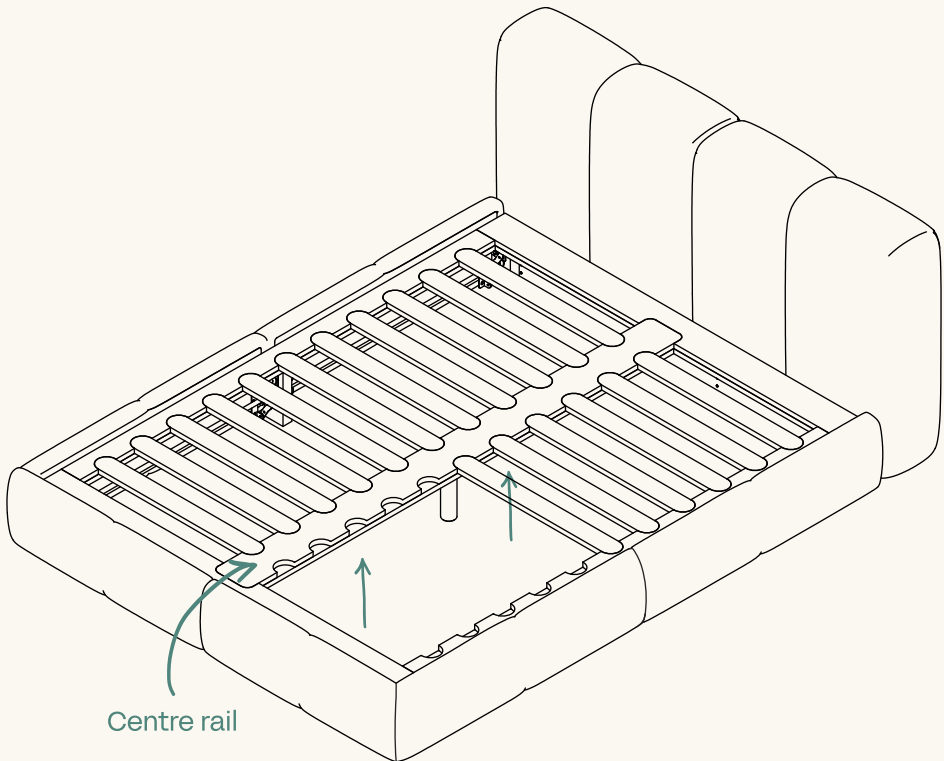
Let's assemble your Kino Storage



1.

Start by removing a few slats to make space for your Kino Storage.

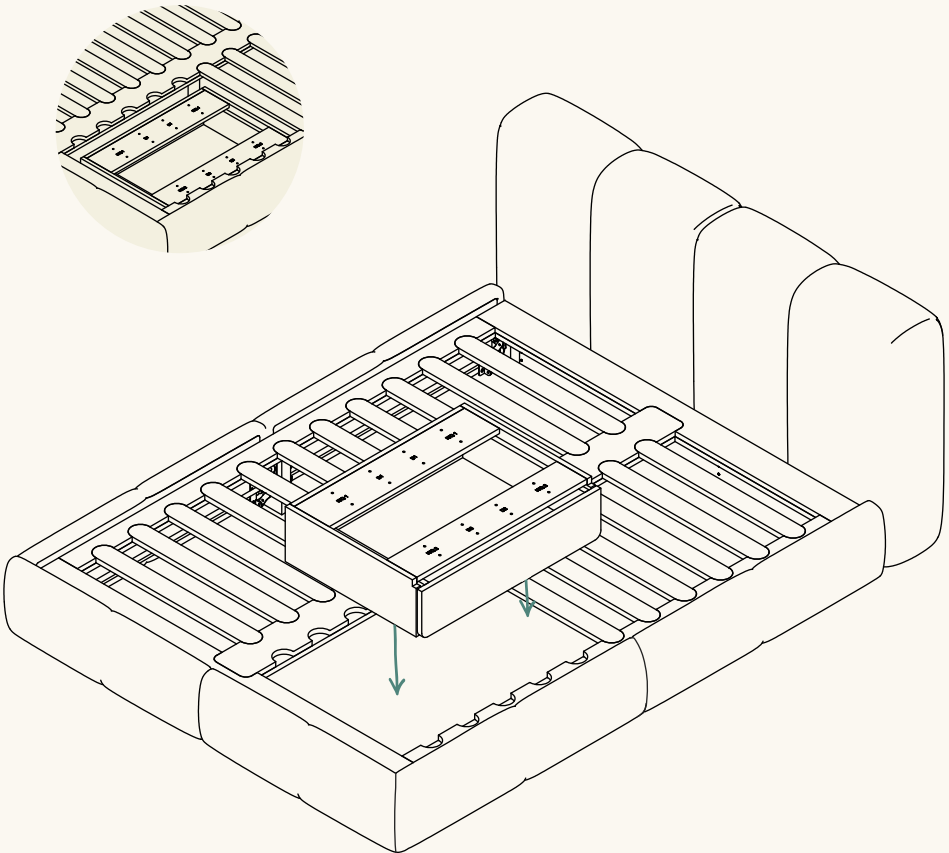
Tip: If you have a double bed, you'll need to remove all slats and the centre rail to install your Kino Storage.



2.

Gently lower your Kino Storage into the bed frame.

Tip: For easier installation, place hands on the outside of the unit and have one person guide one side while another guides the other side.



3.

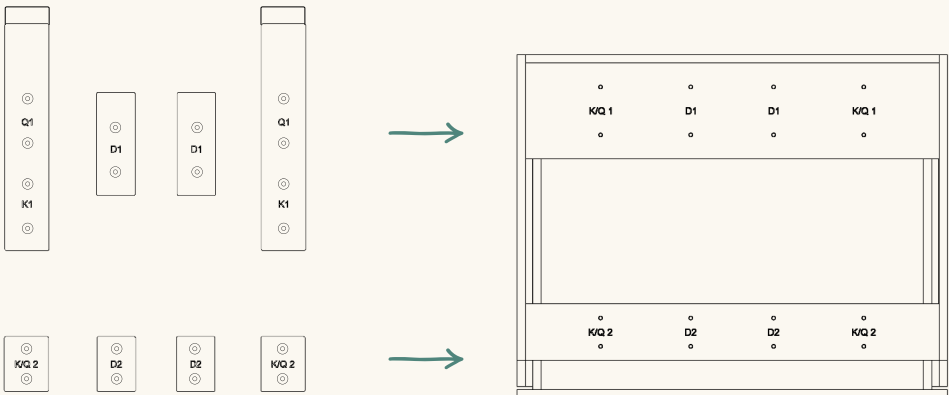
Select the appropriate slats to install onto your Kino Storage unit.

Tip: Look for the letters engraved on both the slats and your Kino Storage unit. Match these letters to create a configuration appropriate for your bed frame size:

"K" for King

"Q" for Queen

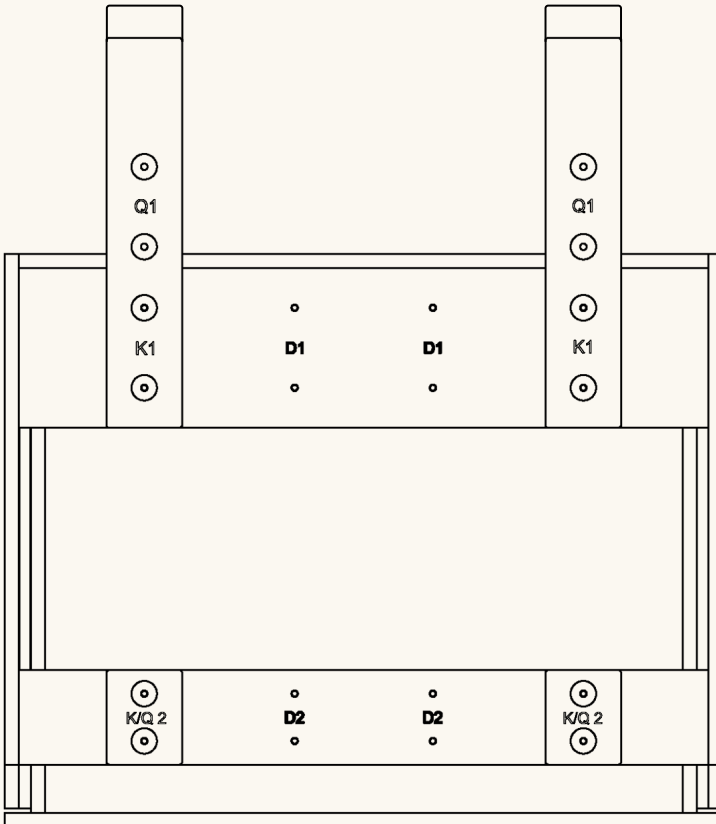
"D" for Double



King Configuration

If you have a King bed frame, install the slats like this.

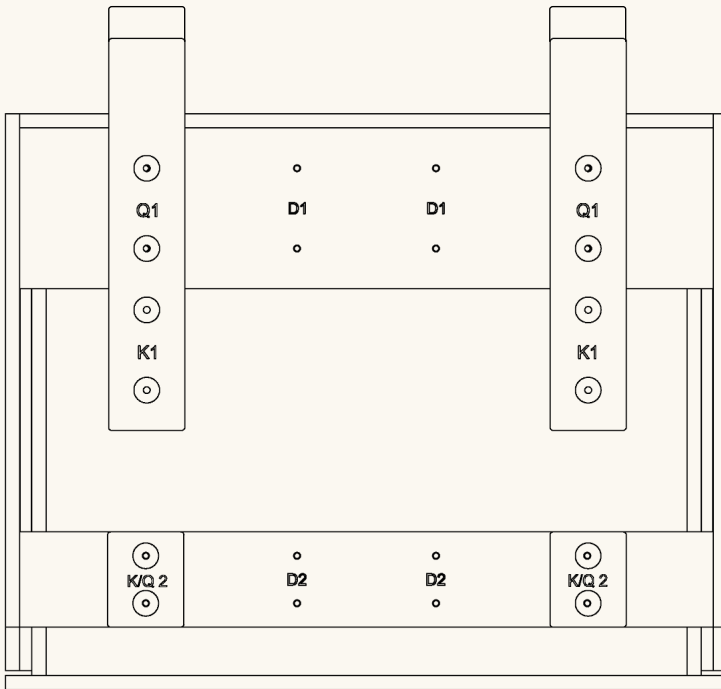
Tip: The king sized slats have K1 and K/Q2 engraved on them.



Queen Configuration

If you have a Queen bed frame, install the slats like this.

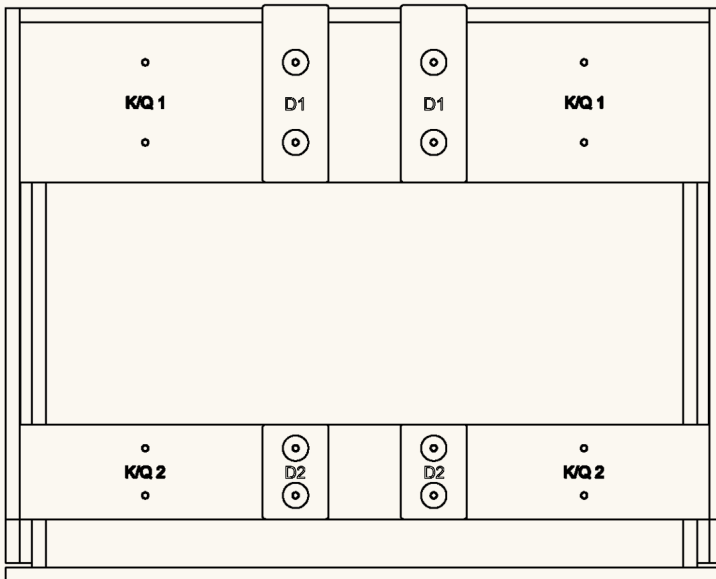
Tip: The queen sized slats have Q1 and K/Q2 engraved on them.



Double Configuration

If you have a Double bed frame, install the slats like this.

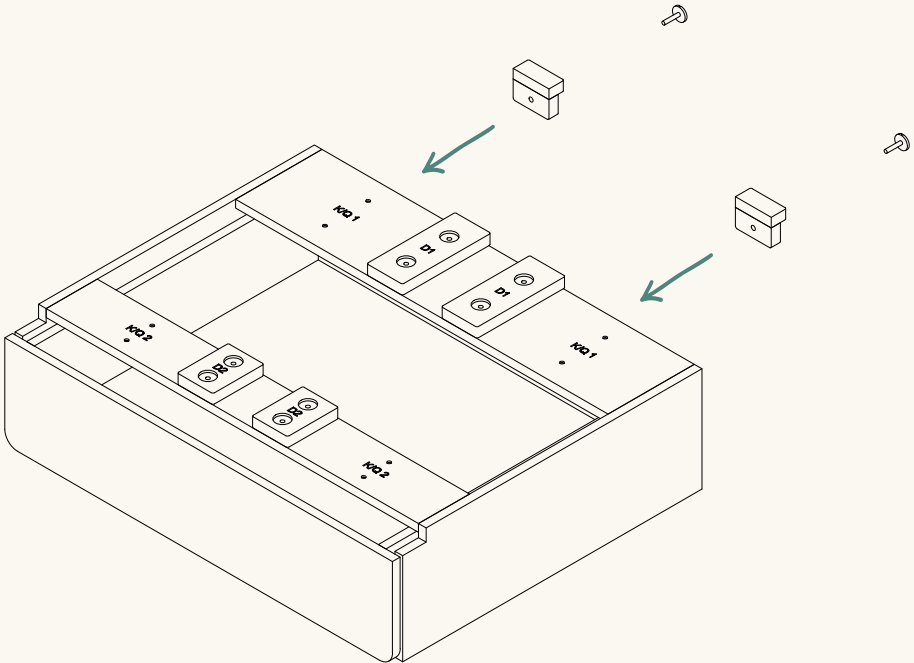
Tip: The double sized slats have D1 and D2 engraved on them.



Double Configuration

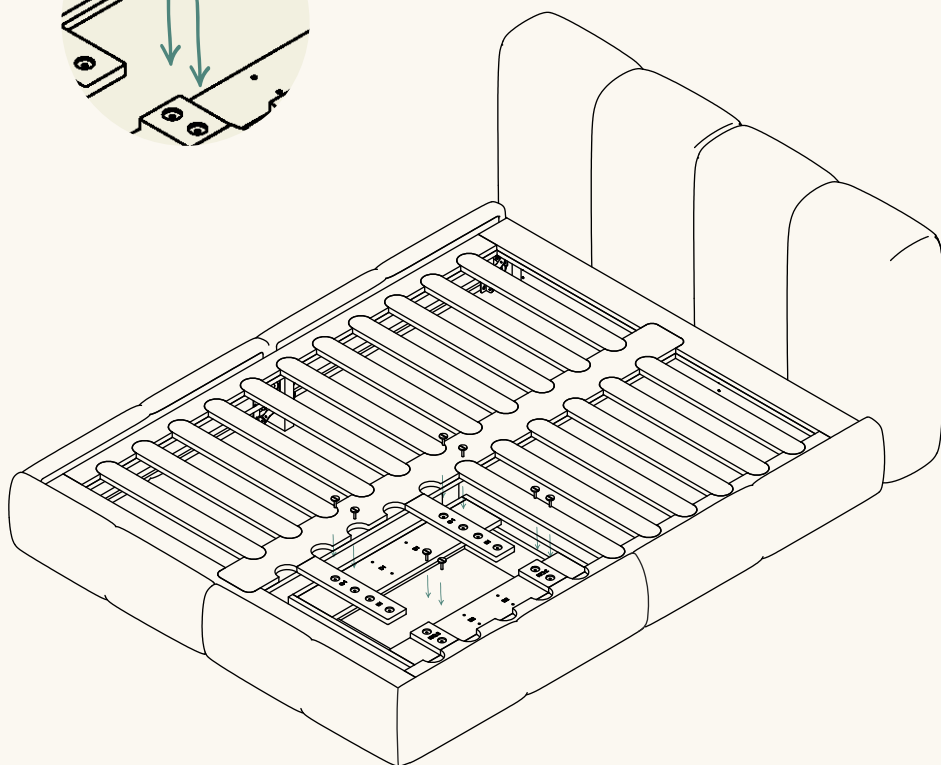
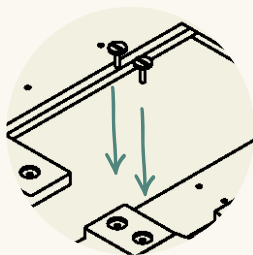
If you have a Double bed frame, use the coin screws to install the tilt blocks onto the back of the unit.

Tip: The coin screw holes are located on the back panel of the Kino Storage.



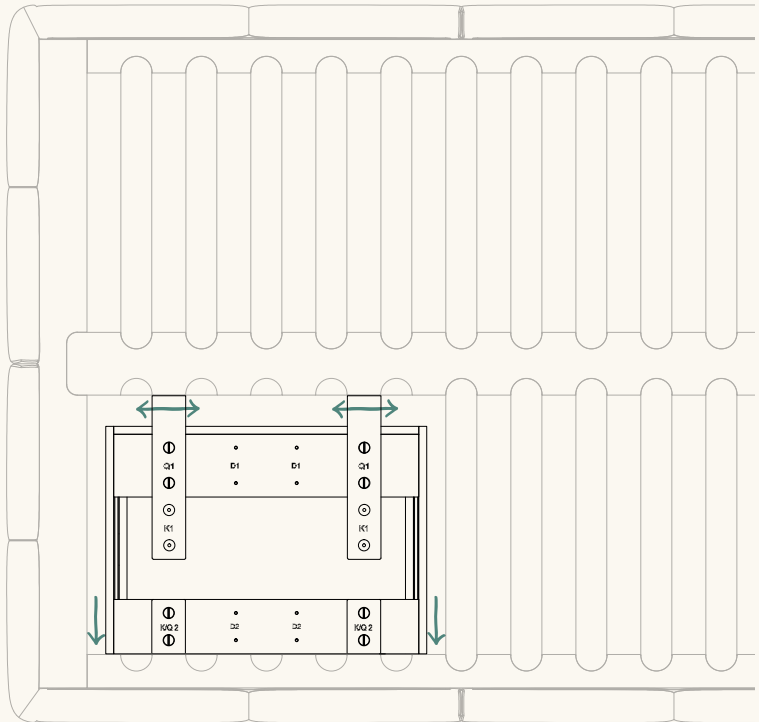
4.

Use the coin screws to fix the slats into place.



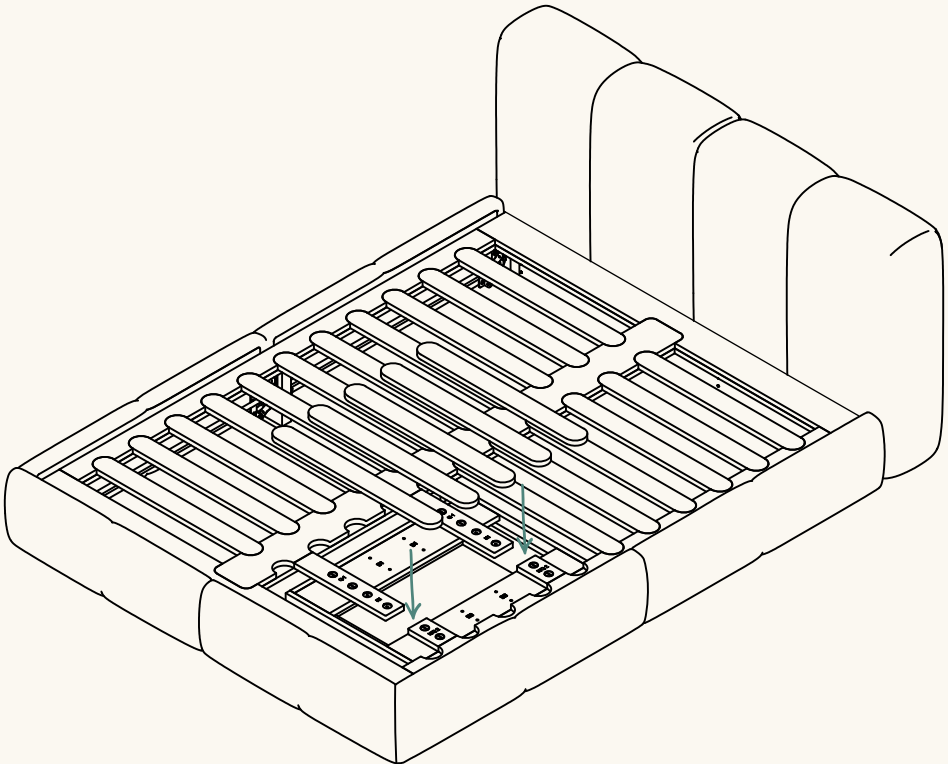
5.

Adjust your Kino Storage to fit between the bed slats and align flush with the side rail.



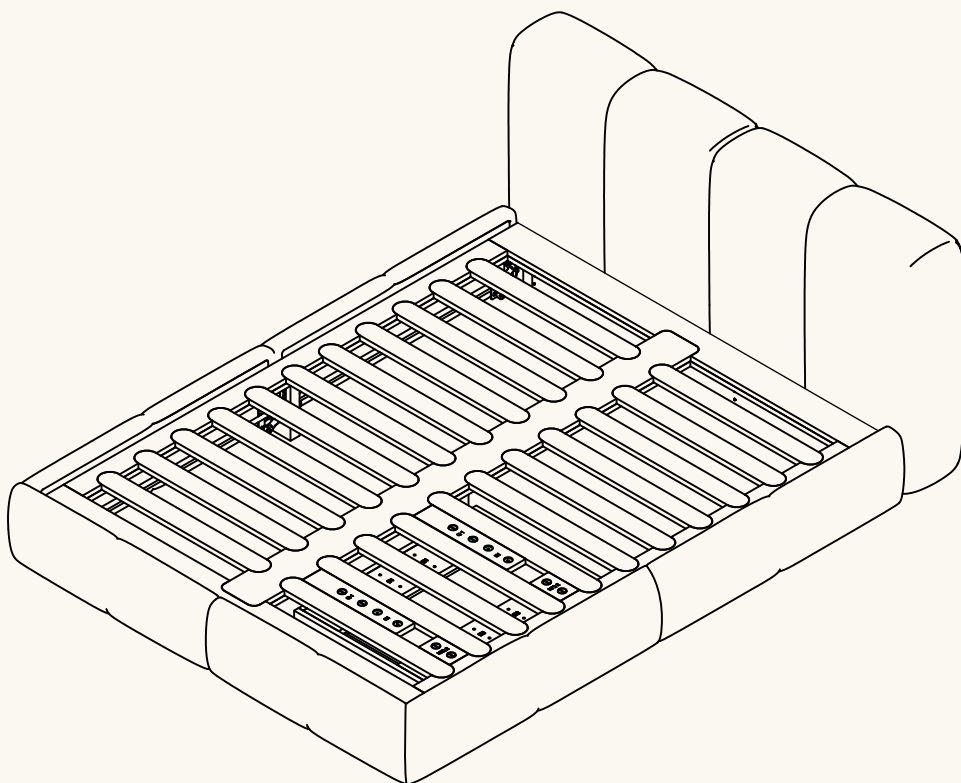
6.

Place the slats that were removed earlier back onto the bed frame.



All done!

Repeat the previous steps if you have another Kino Storage to assemble.



Enjoy your Kino Storage!

