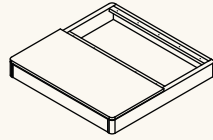




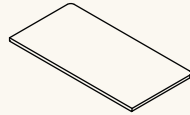
A guide to your Hideaway Table

What comes with your square table

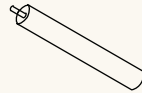
1x Table top



1x Removeable top



4x Legs



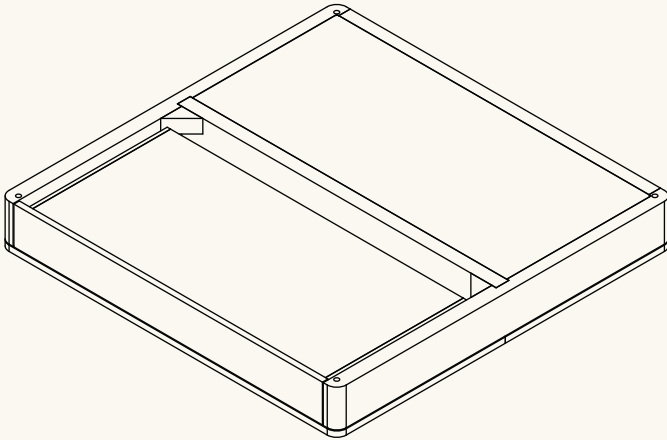
4x Coasters



1.

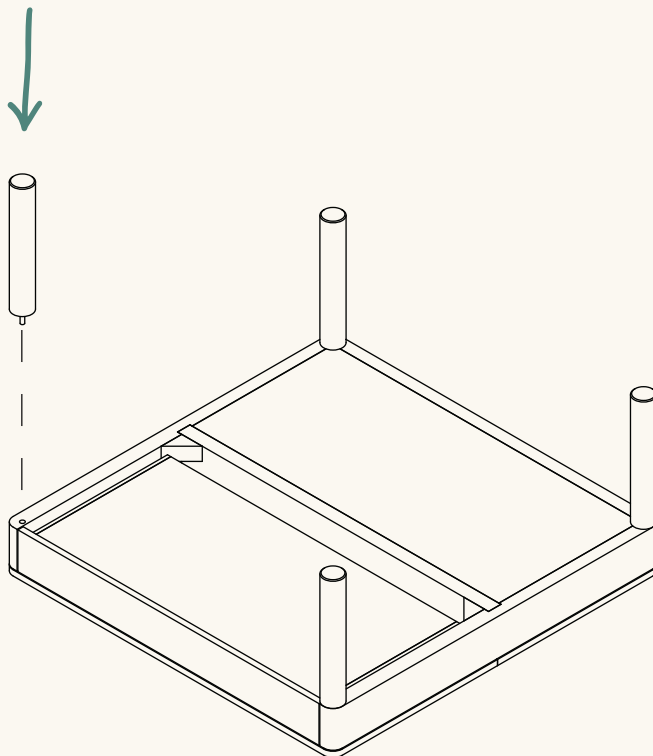
Place table top face down.

Caution: Protect the table's surface by placing a blanket or towel on the ground before assembly.



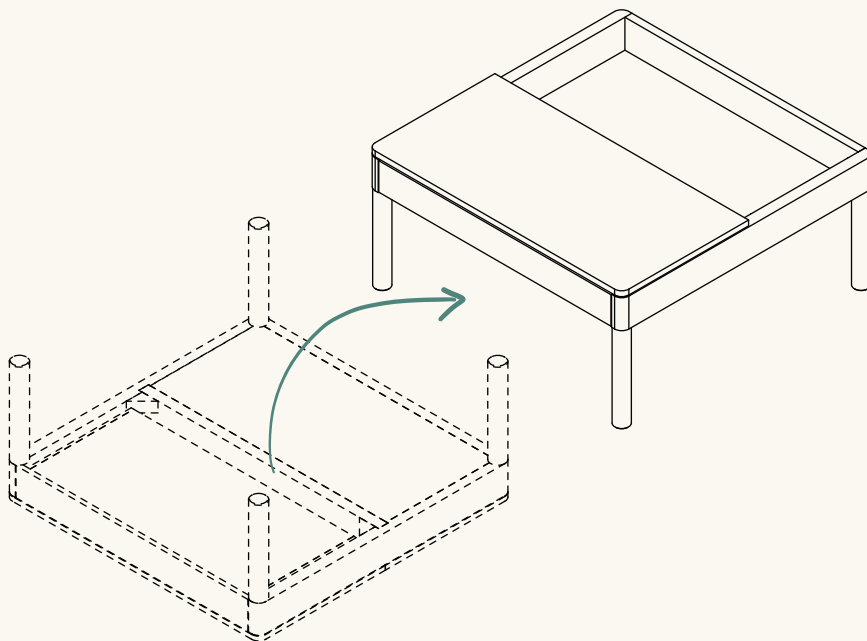
2.

Screw the legs into the frame.



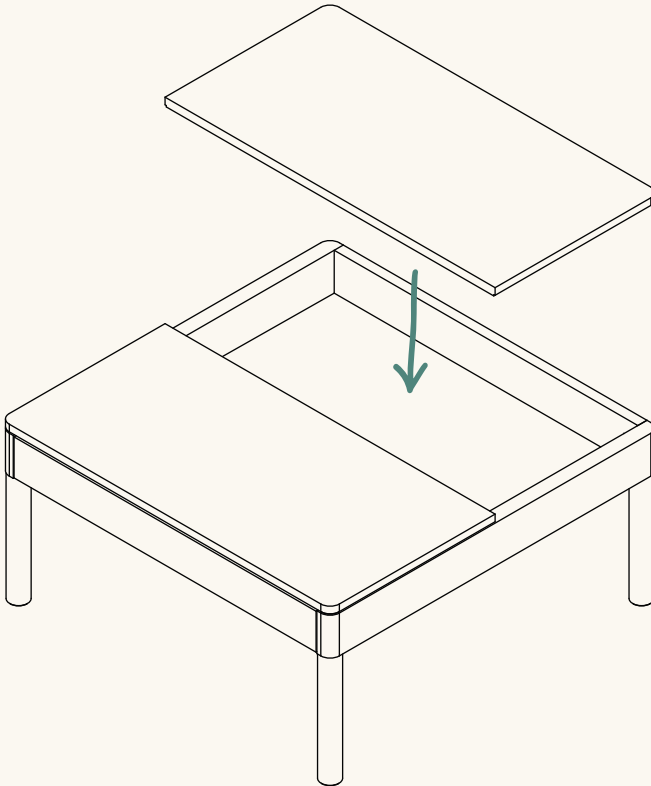
3.

Flip the table upright.



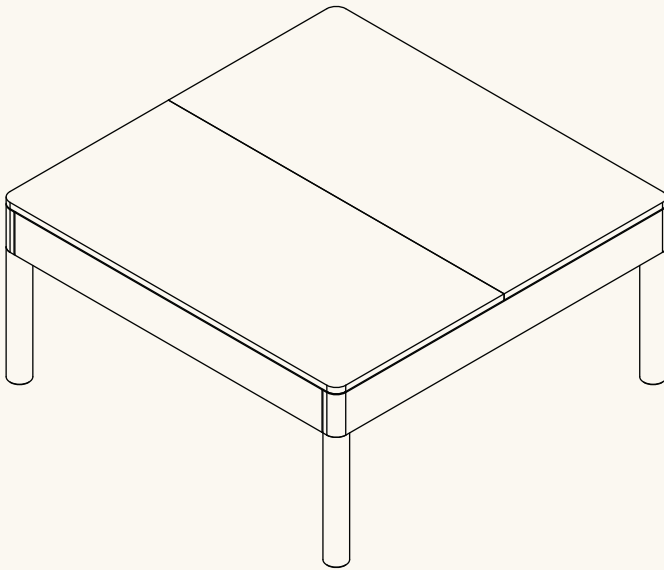
4.

Place removable top onto frame.



5.

That's it! Enjoy!



Pretty simple living.