

A guide to your Delve Bed Frame →



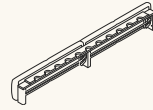
Life's better together.
Please assemble
with two people.



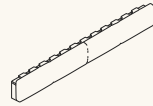
What comes with your Delve Bed Frame

Box 1/4

1x Left side rail



1x Right side rail



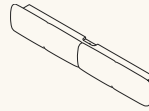
1x Centre rail



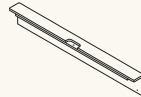
What comes with your Delve Bed Frame

Box 2/4

1x Foot rail



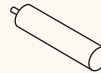
1x Head rail



22x Slats



2x Legs



6x Short hand screws



12x Long hand screws



What comes with your Delve Bed Frame

Box 3/4

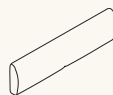
2x Headboards



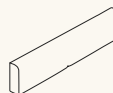
What comes with your Delve Bed Frame

Box 4/4

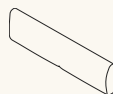
2x Top side covers



1x Bottom right cover



1x Bottom left cover



1x Right foot cover



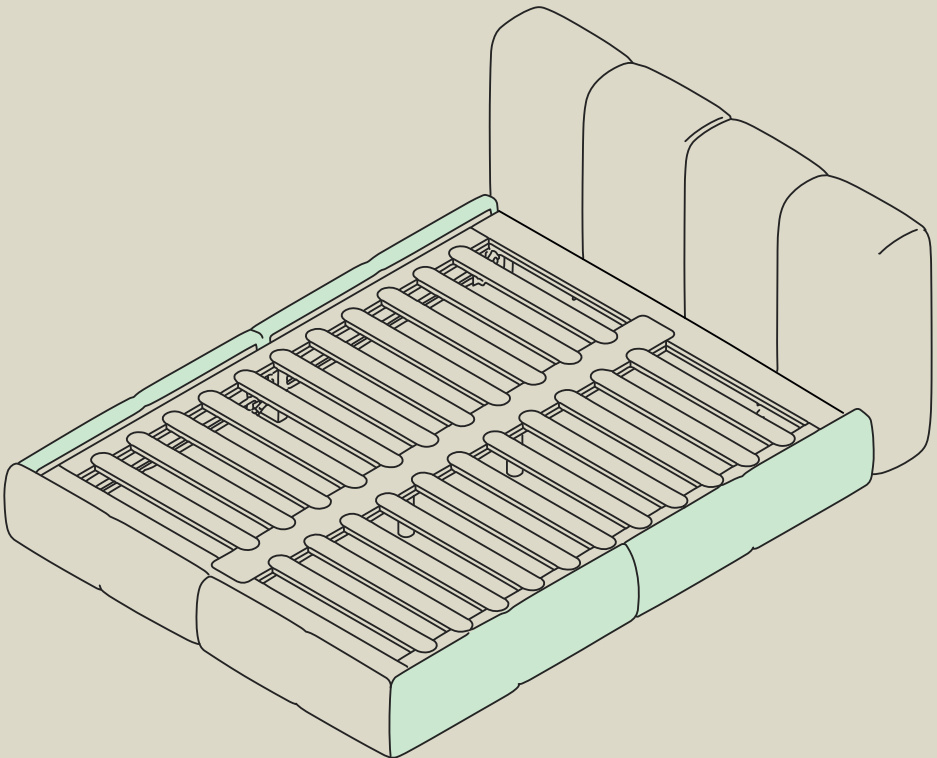
1x Left foot cover



2x Headboard covers



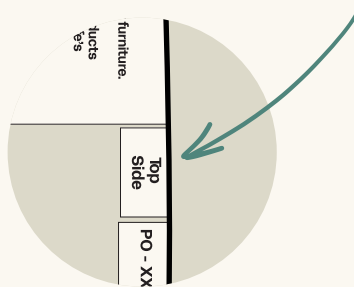
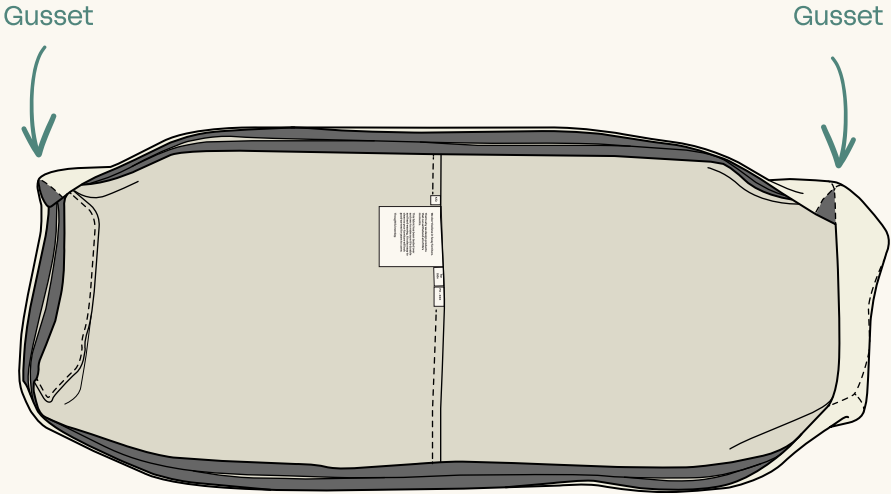
Let's put covers on
the side rails.



1.

Identify the side rail covers by the label on the centre seam.

Tip: Make sure the gussets are at the top edge of the cover to ensure it's oriented correctly.



2.

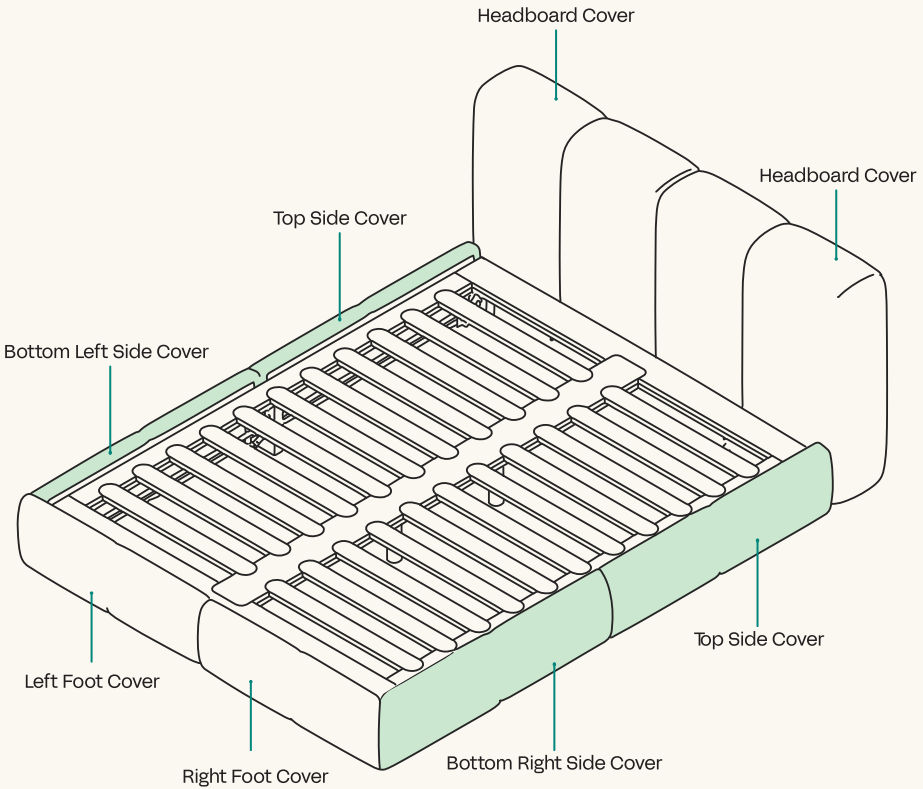
Turn the cover inside out and unfold the hook and loop.



3.

Match the cover's label to the door panel with the same name.

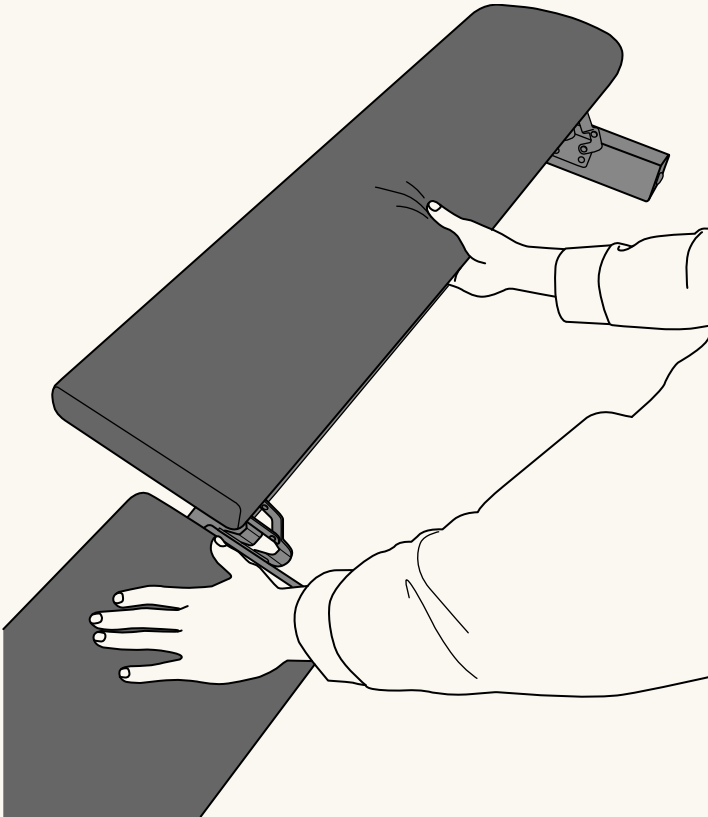
Tip: The top side covers are interchangeable across the left and right side rails.



4.

Open the door panel of the module you're attaching the cover to.

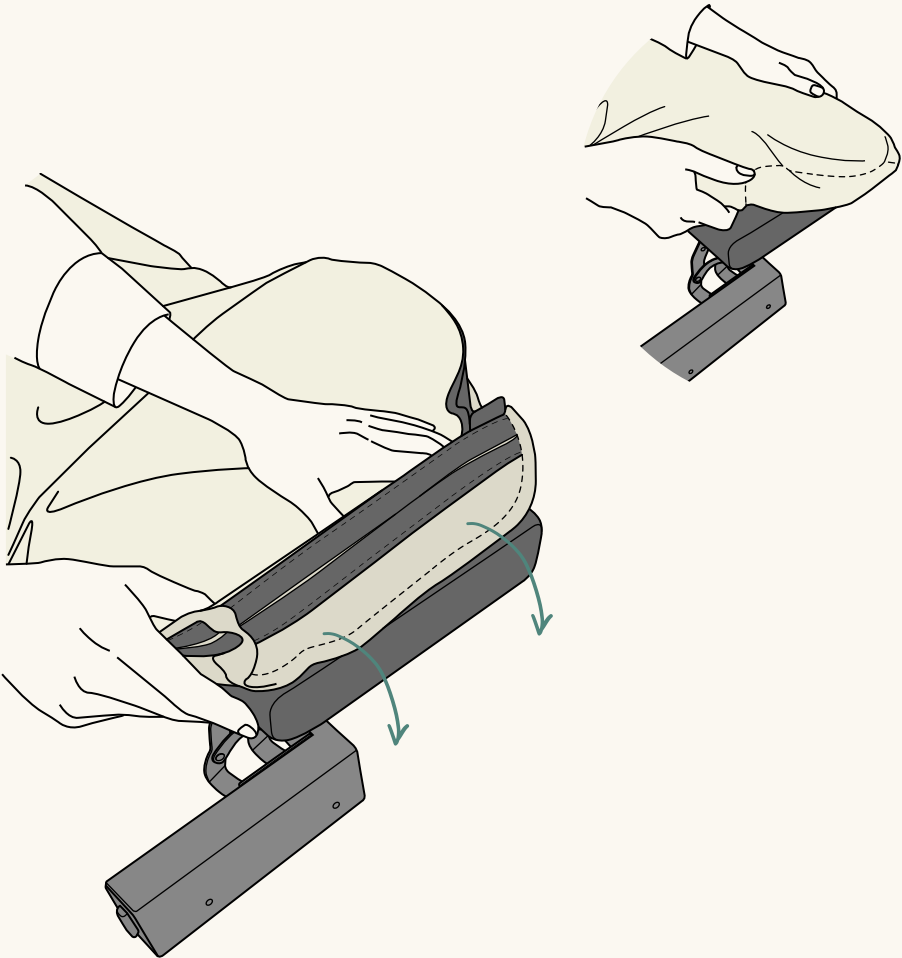
Tip: To make it easier, have one person hold the side rail in place while the other lifts the door open.



5.

Fold one side of the cover over the edge of the module.

Tip: To make it easier, have one person hold the side rail in place while the other fixes the cover to the module.



6.

Fold the other side of the cover over the opposite edge of the module.



7.

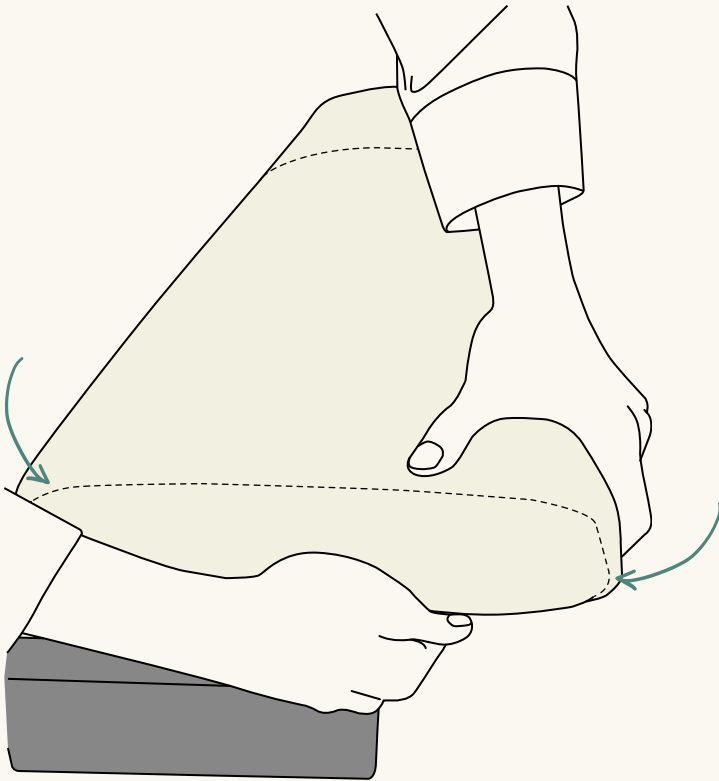
Work your way around the cover, fixing the rest of the edges to the module.

Tip: For the best results, avoid pulling the cover too tight.

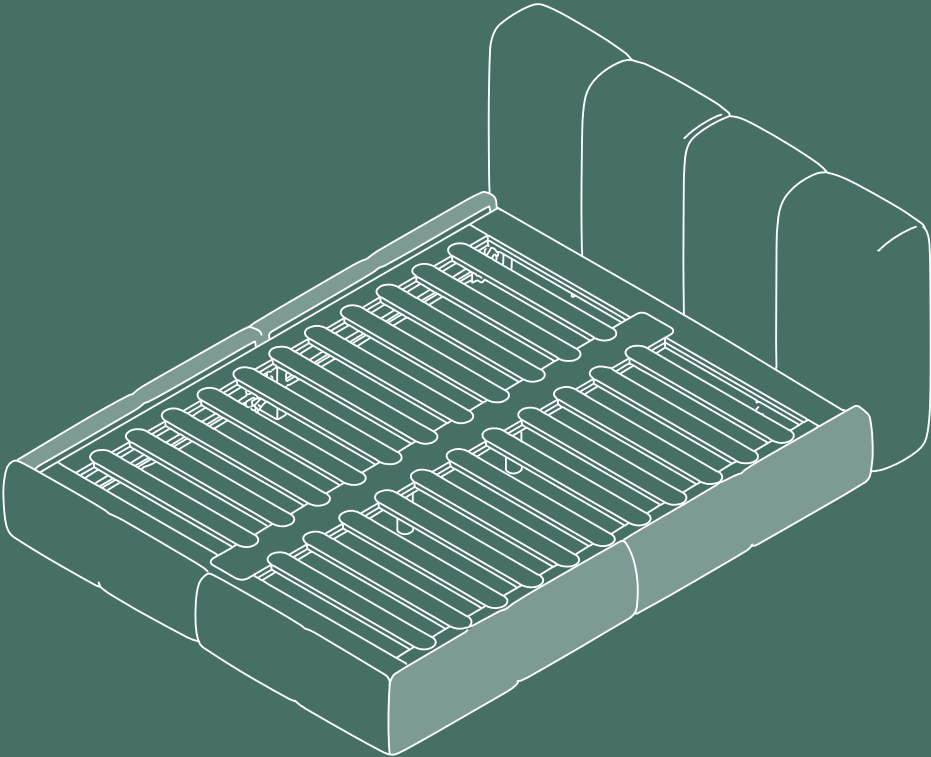


8.

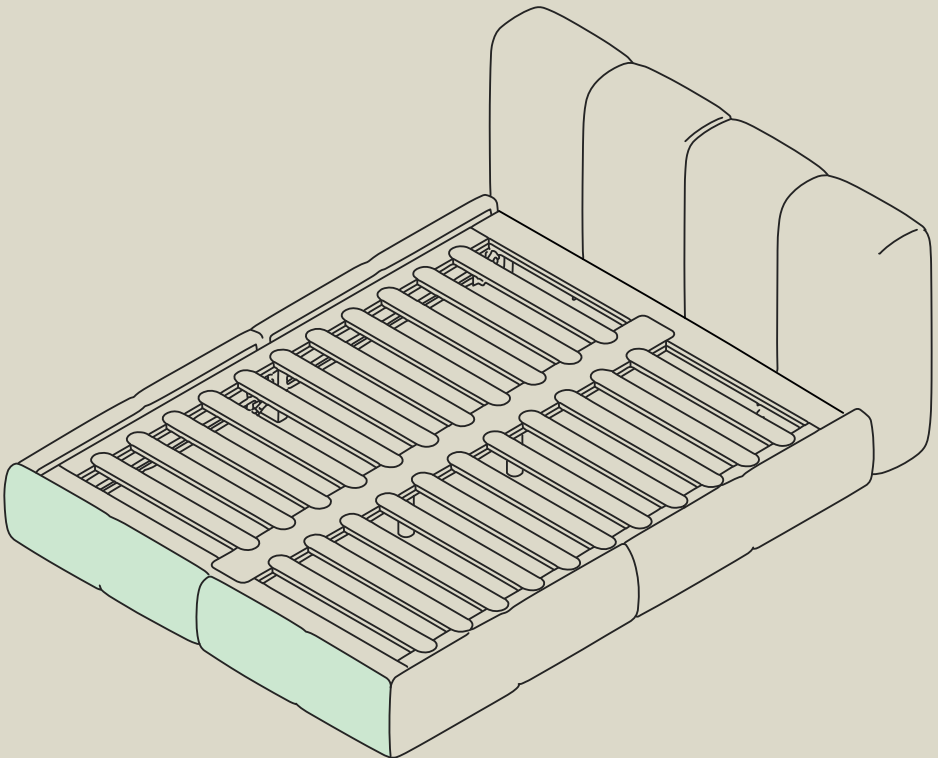
If necessary, readjust the cover to ensure the seams align neatly with the module's edge.



Repeat these steps for the remaining side rail covers.



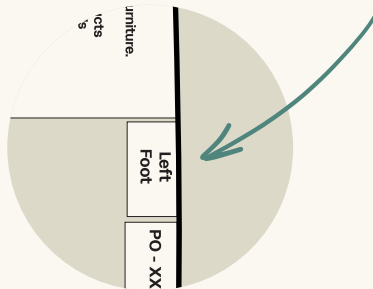
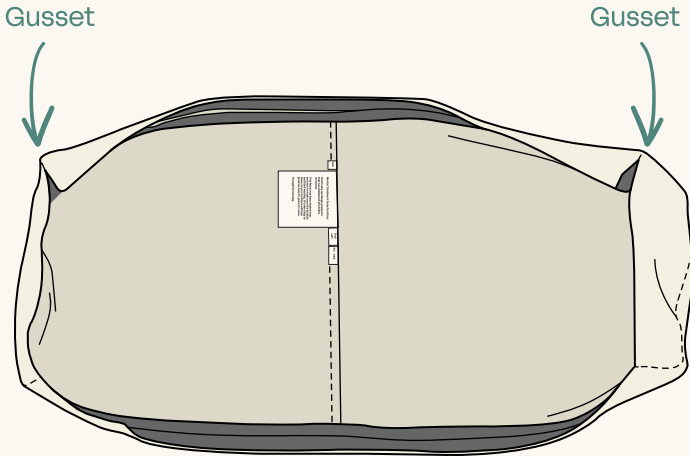
Let's put covers on
the foot rail.



1.

Identify the foot rail covers by the label on the centre seam.

Tip: Make sure the gussets are at the top edge of the cover to ensure it's oriented correctly.



2.

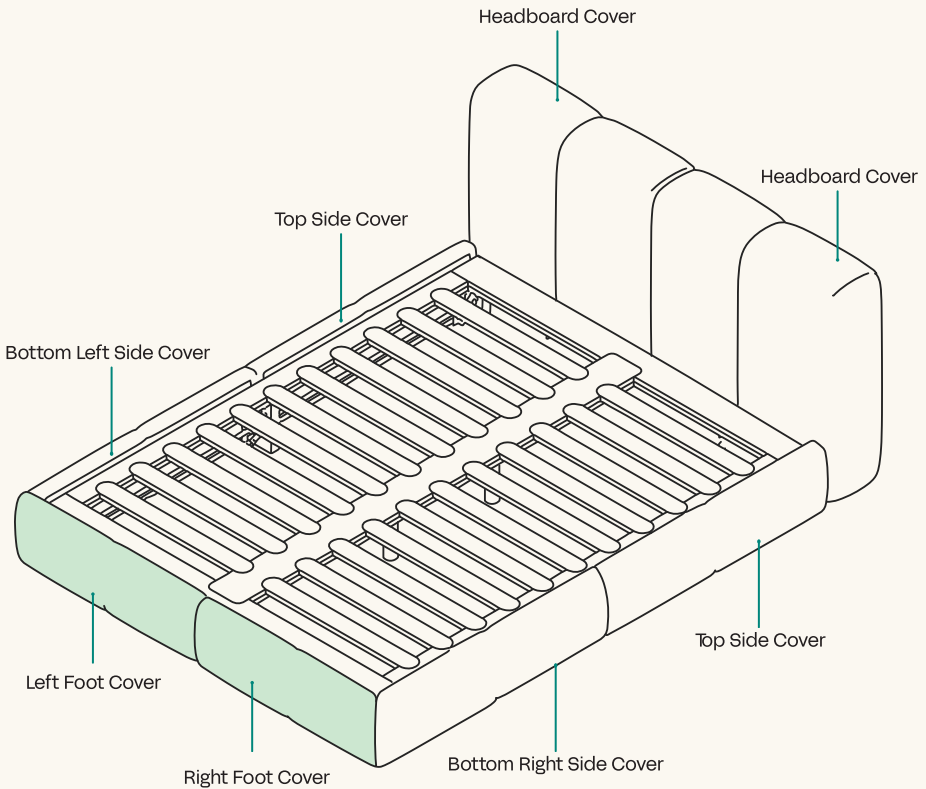
Turn the cover inside out and unfold the hook and loop.



3.

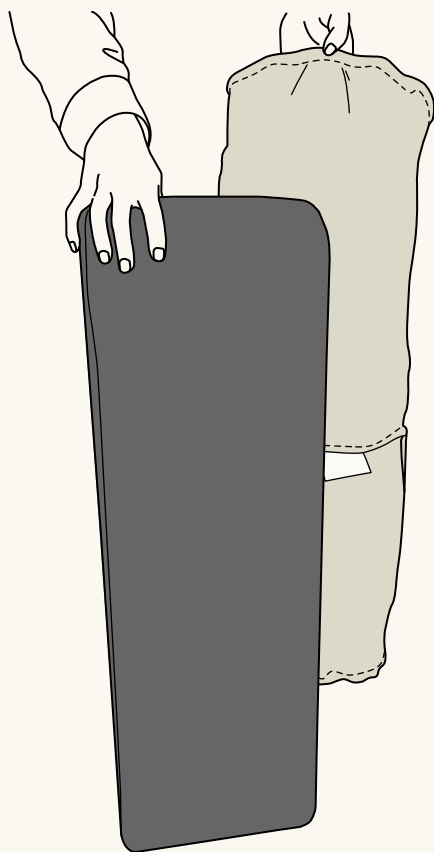
Match the cover's label to the panel with the same name.

Please note: The foot panels are not attached to the foot rail. This will be done when assembling the bed frame.



4.

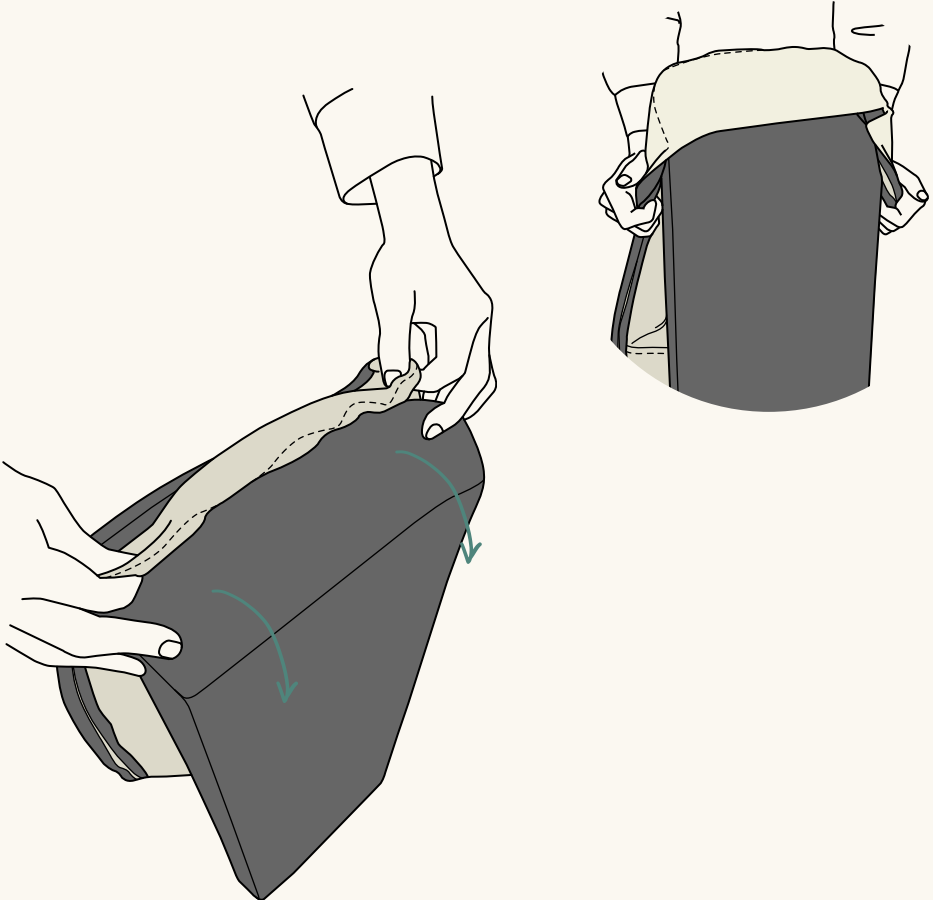
Stand the foot rail module upright.



5.

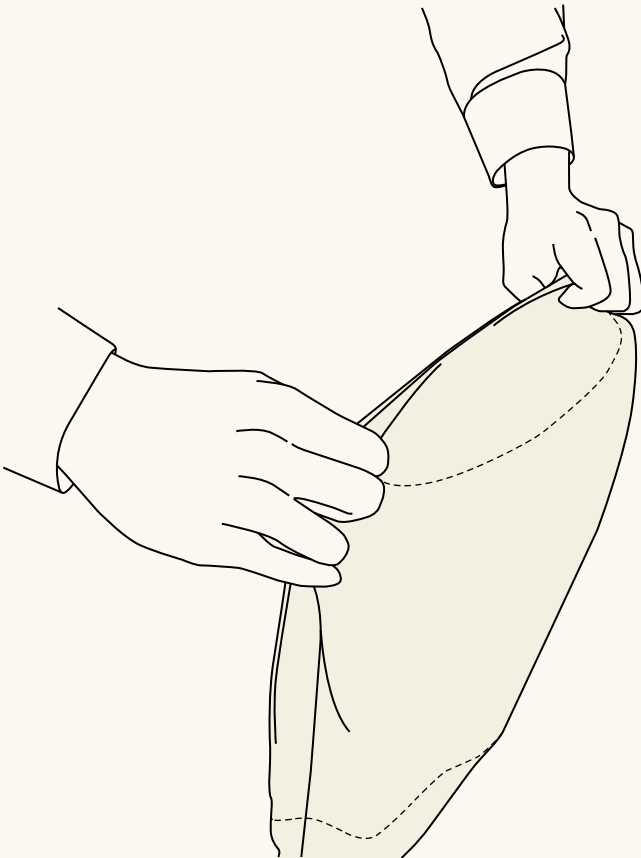
Fold one side of the cover over the edge of the module.

Tip: To make it easier, have one person hold the bottom of the panel while the other fixes the cover to the module.



6.

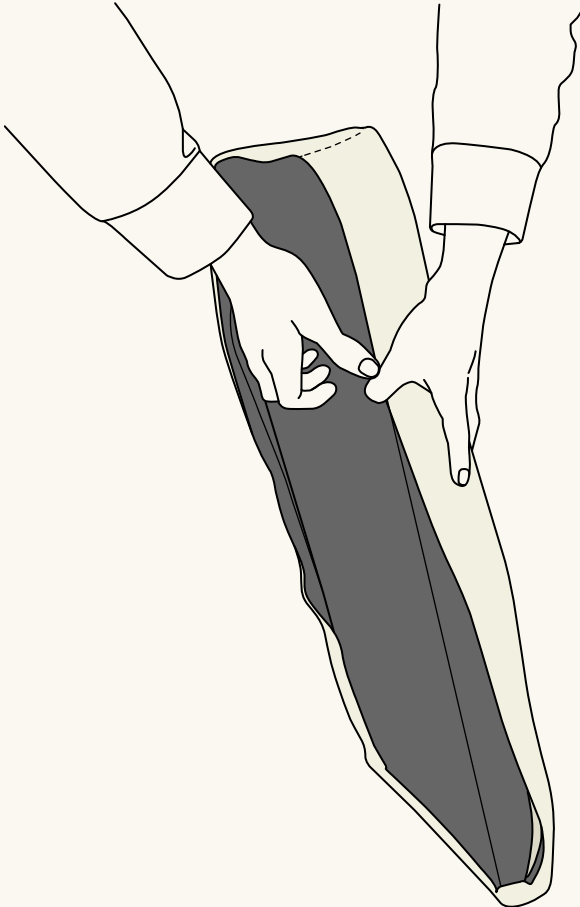
Flip the module and fold the other side of the cover over the opposite edge of the module.



7.

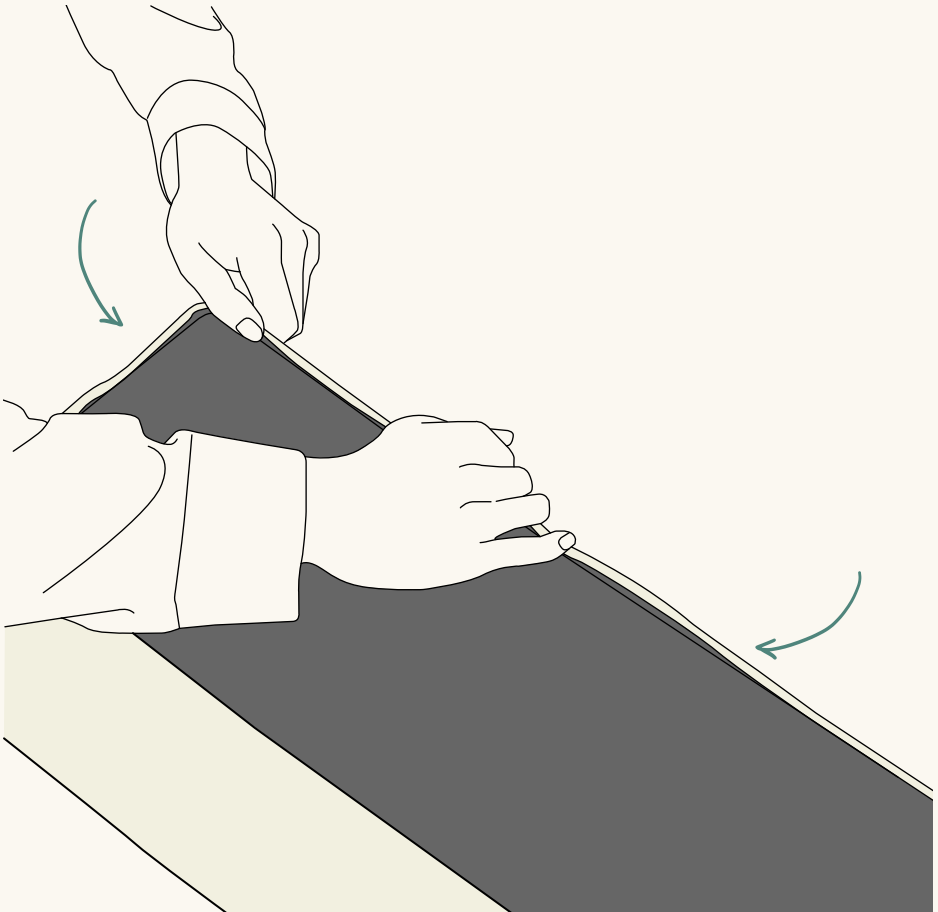
Work your way around the cover, fixing the rest of the edges to the module.

Tip: For the best results, avoid pulling the cover too tight.

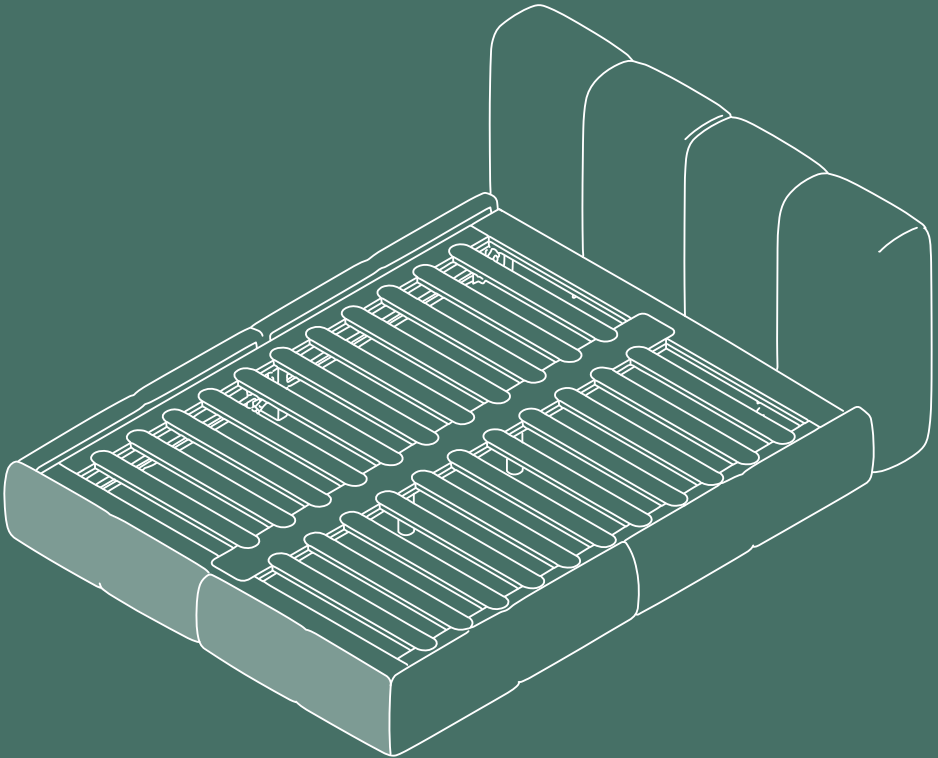


8.

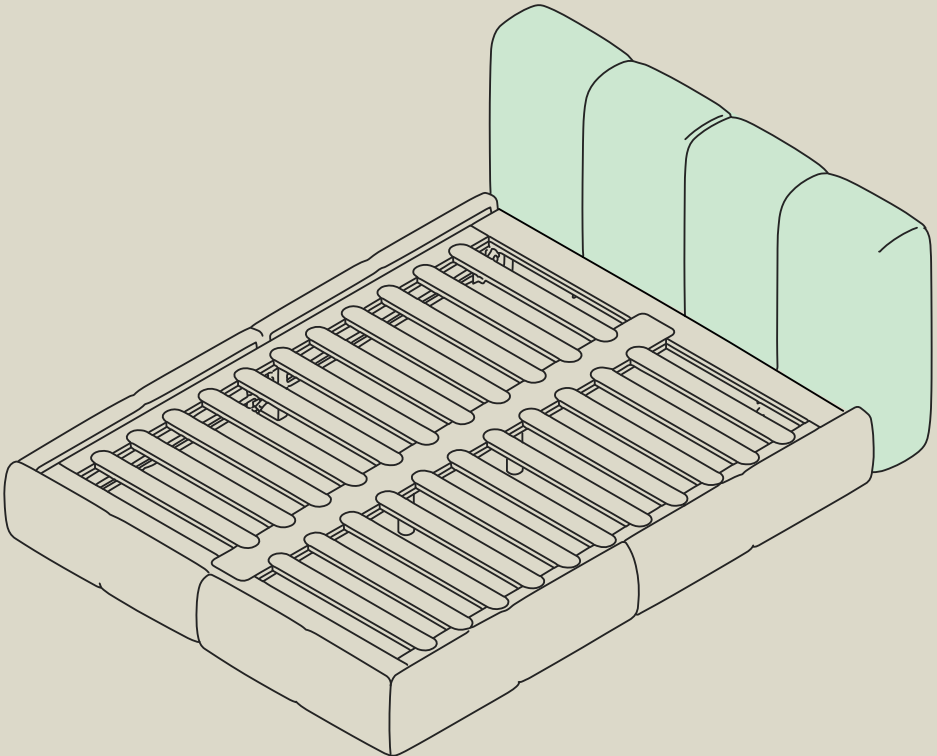
If necessary, readjust the cover to ensure the seams align neatly with the module's edge.



Repeat these steps for the remaining foot rail cover.

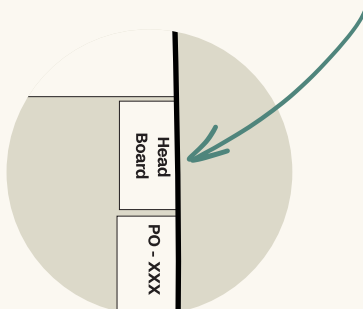
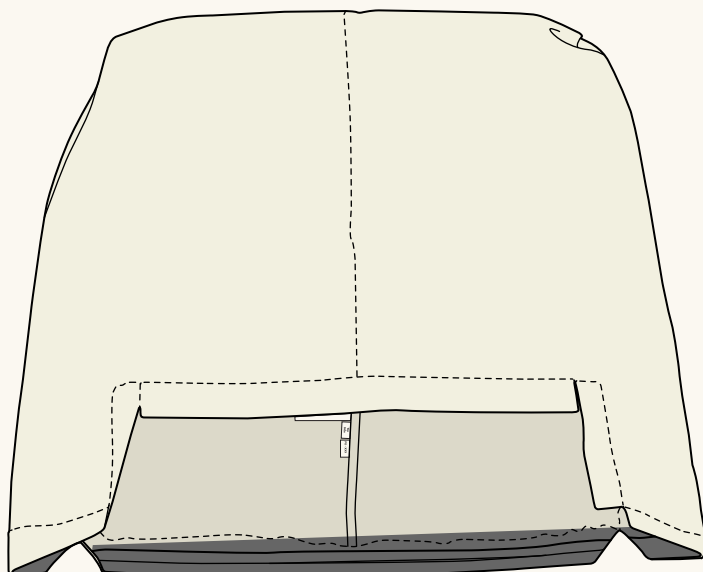


Let's put covers on
the headboards.



1.

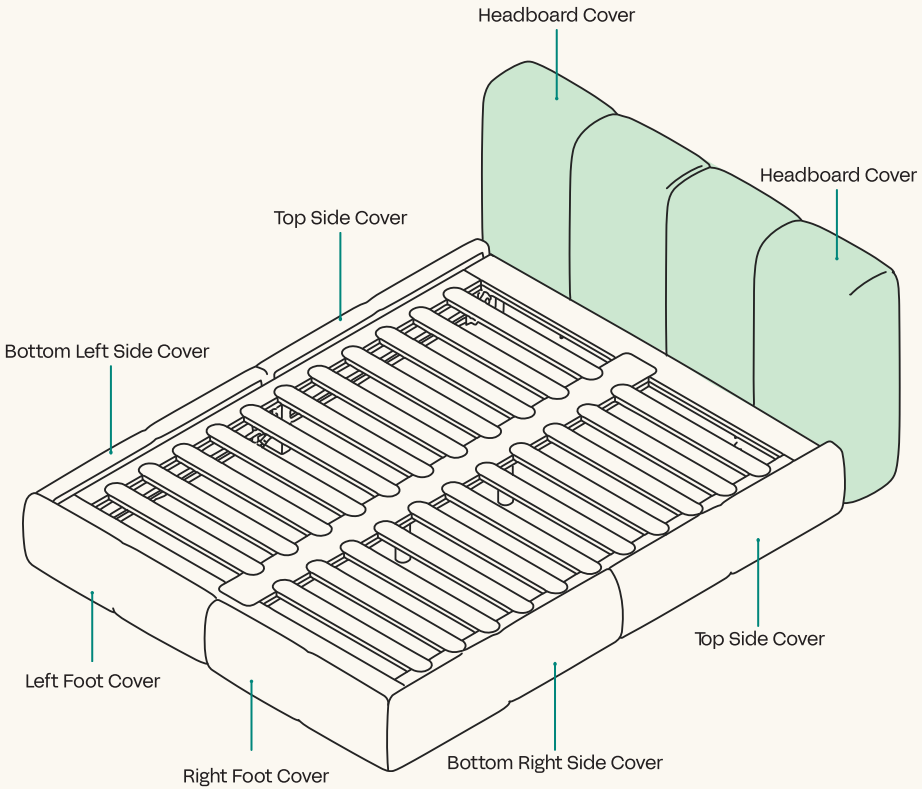
Identify the headboard covers by the label on the centre seam.



2.

Match the cover's label to the module with the same name.

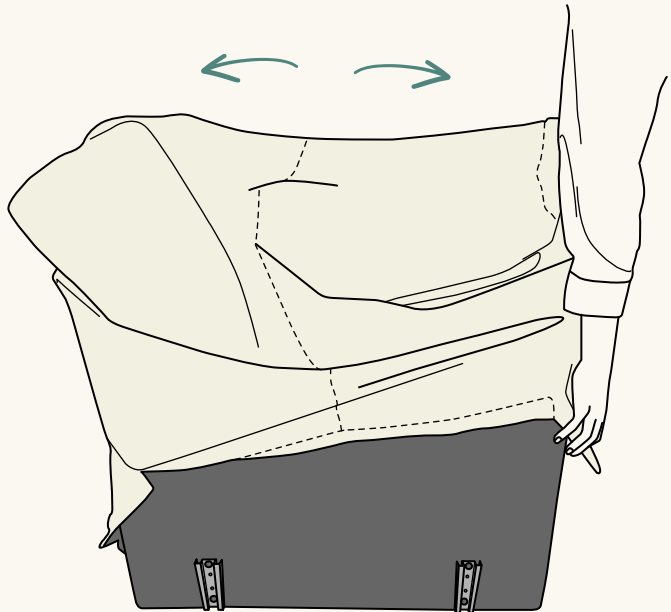
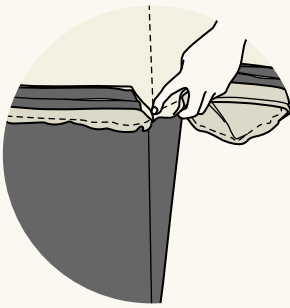
Tip: The covers can go on either headboard.



3.

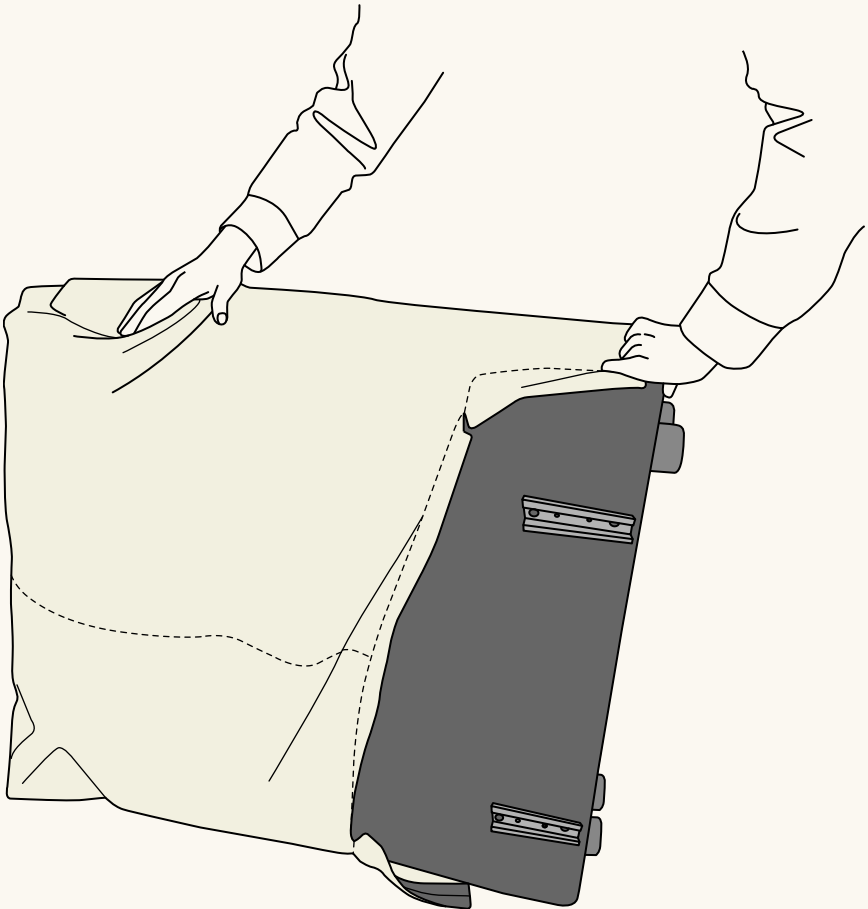
Place the cover over the top of the headboard and work the sides down toward the base.

Tip: For the best results, align the cover's seam with the edge of the module.



4.

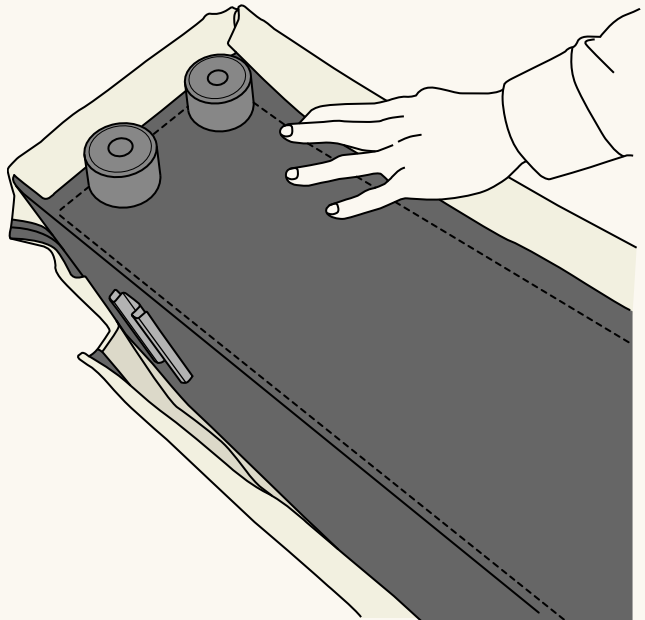
Turn the module on its side and continue to gently pull the covers until you reach the bottom edge.



5.

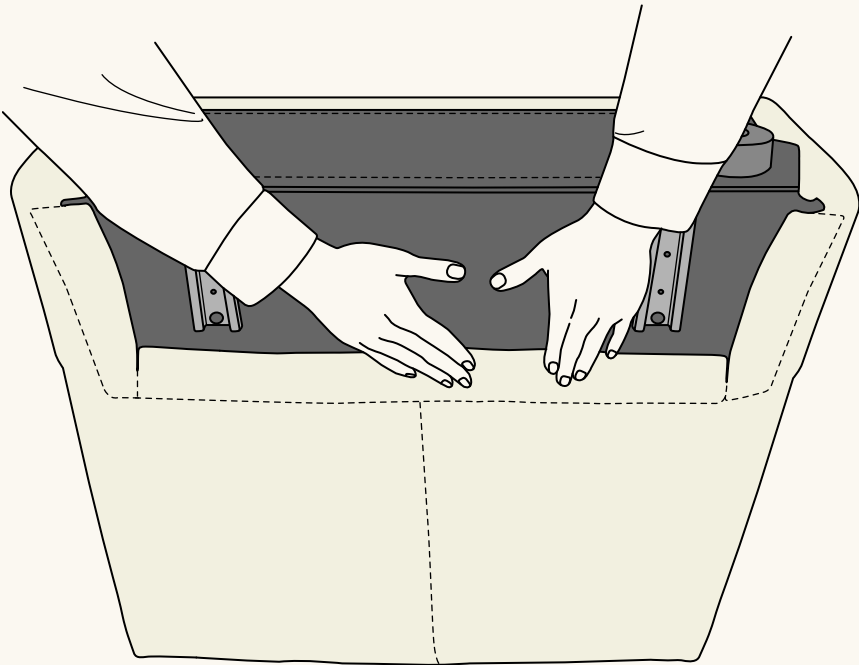
Unfold the hook and loop and fix the cover along the edges of the module.

Tip: To make it easier, have one person hold the bottom of the headboard while the other fixes the cover to the module.

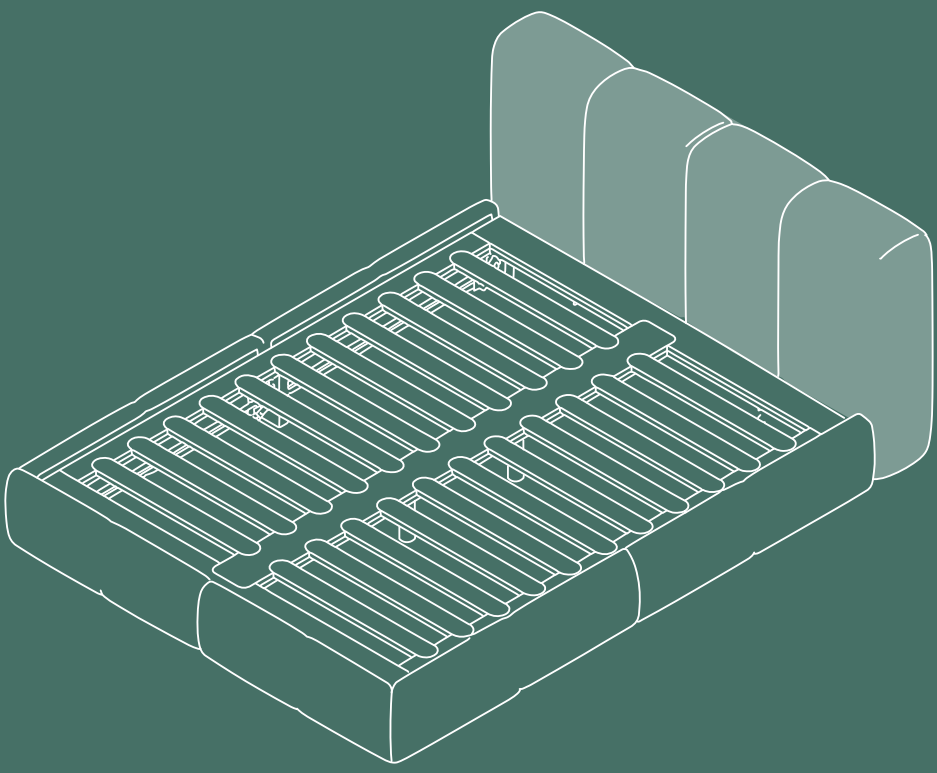


6.

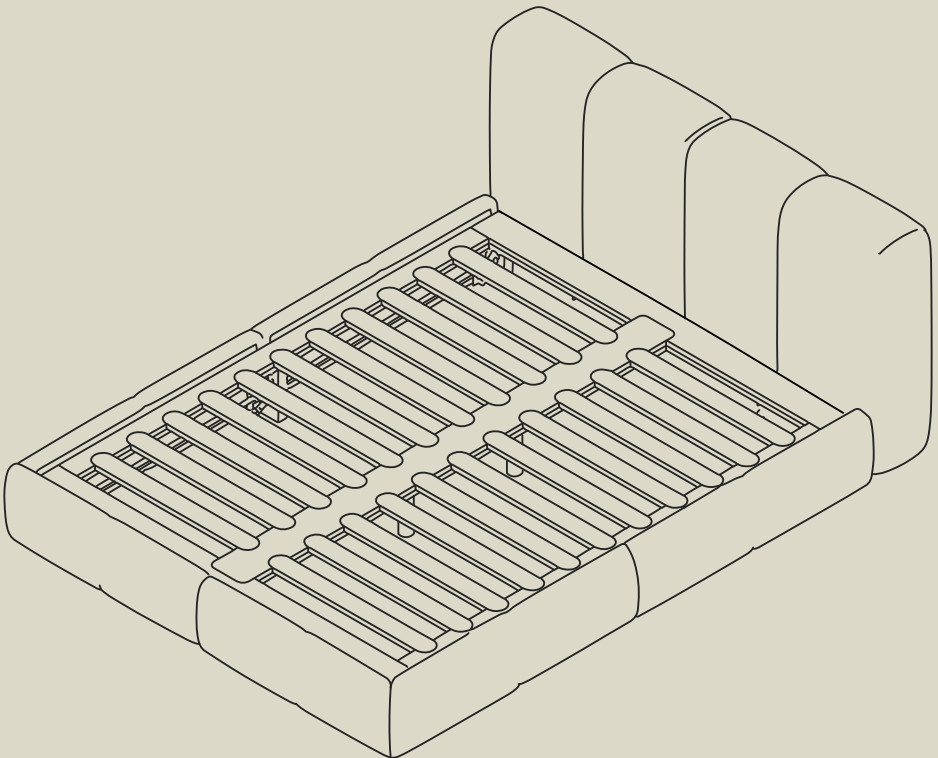
Fix the front edge of the cover into the indentation above the brackets.



Repeat these steps for the remaining headboard cover.



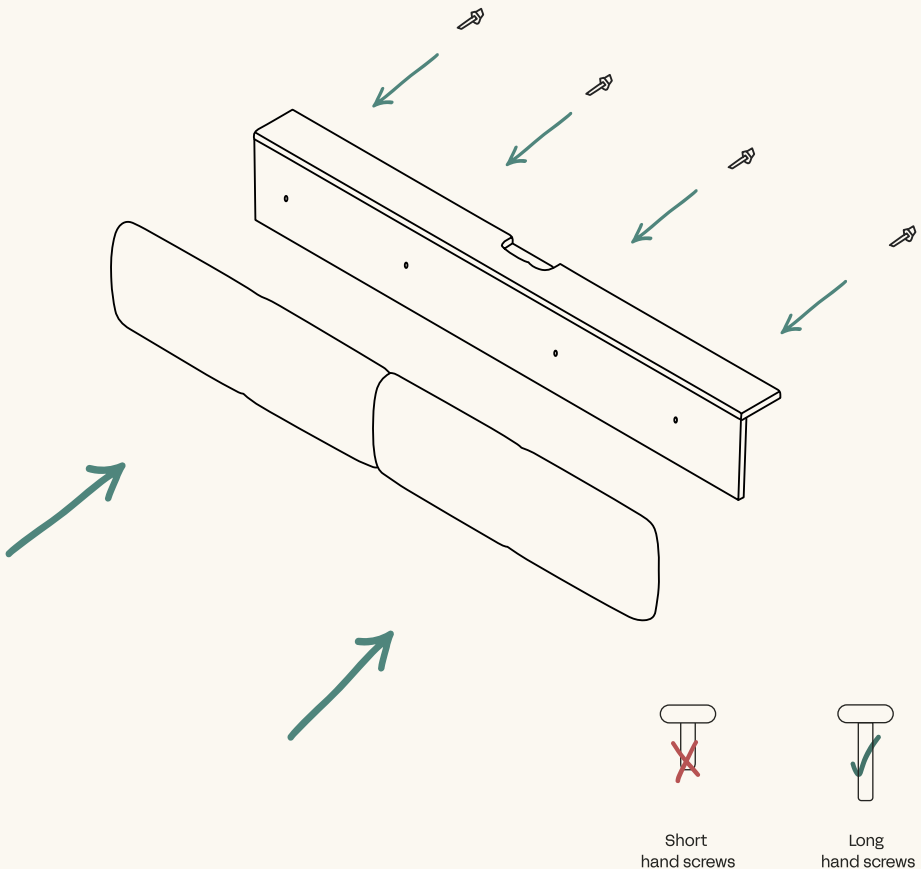
Let's assemble your Delve Bed Frame.



1.

Align the left and right foot modules with the foot rail and use the long hand screws to attach them.

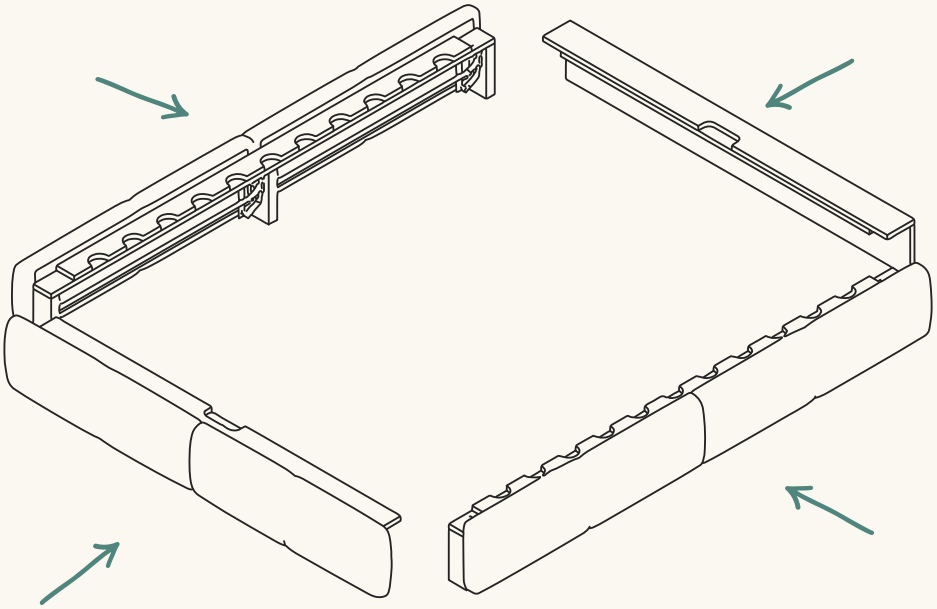
Tip: Ensure the mitred ends of the foot modules face the edges of the foot rail.



2.

Align the corners of the head rail, side rails, and foot rail to form the bed

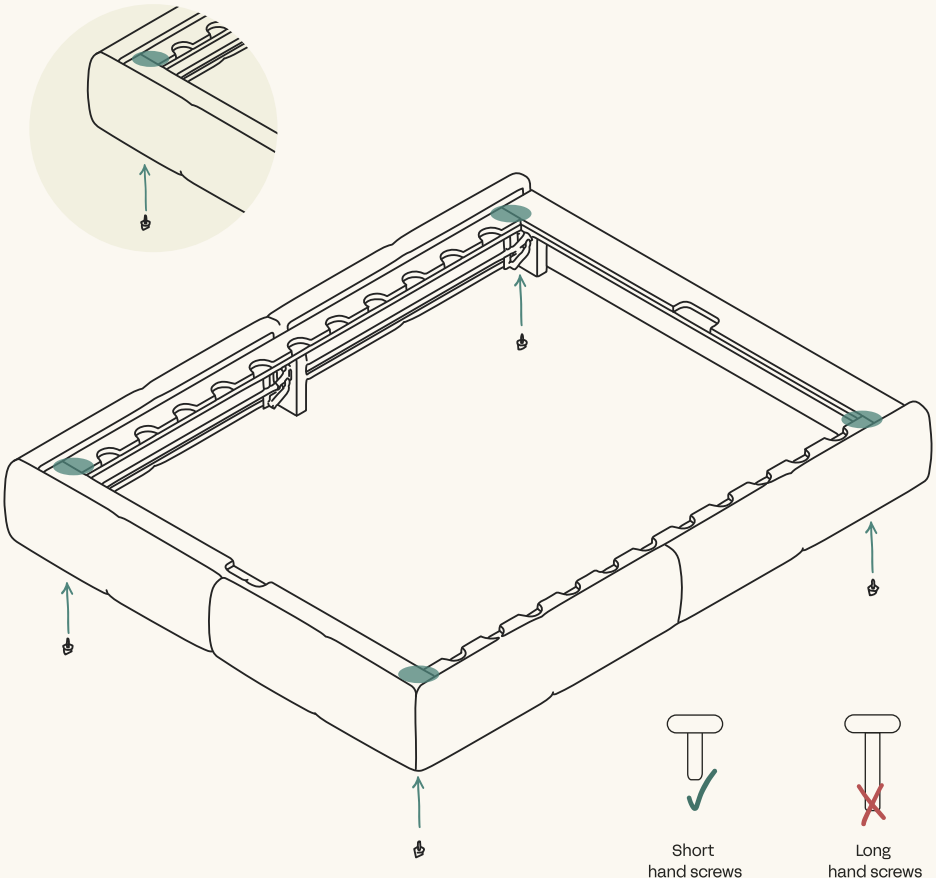
Tip: To make assembly easier, have one person hold the side rails while another places the head and foot rails on top of the ledge of the side rails.



3.

Use the short hand screws to secure all sides of the bed base in place.

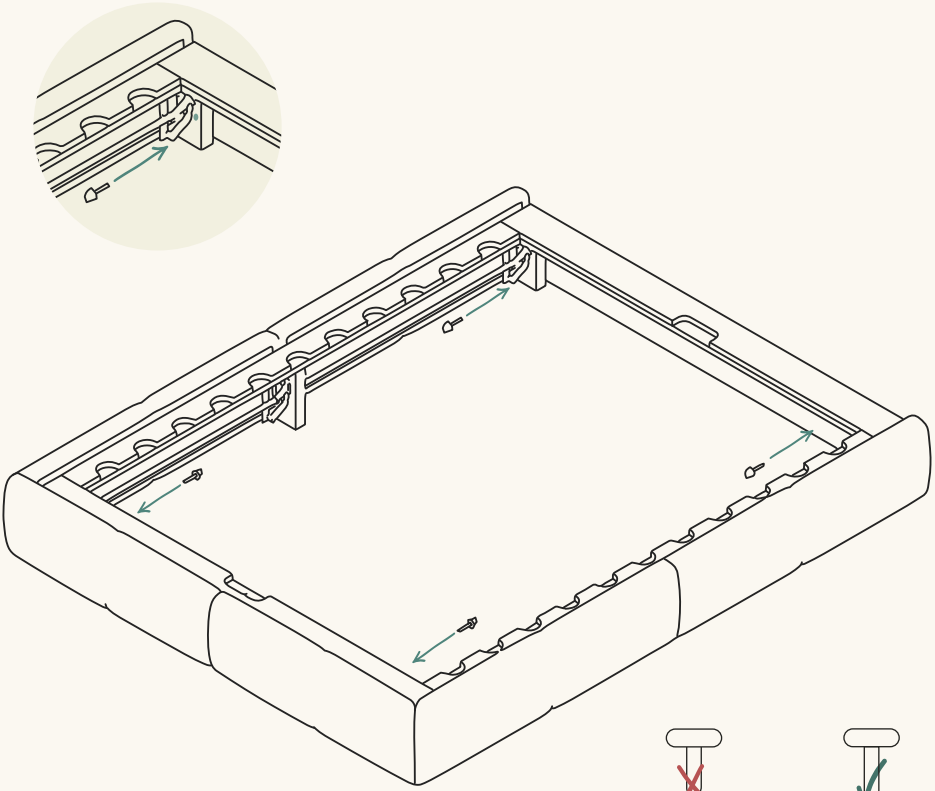
Tip: The hand screw holes are located on the underside where the side rails intersect with the foot and head rail.



4.

Use the long hand screws to complete connecting all sides of the bed base.

Tip: The hand screw holes are located at each end of the side rails.



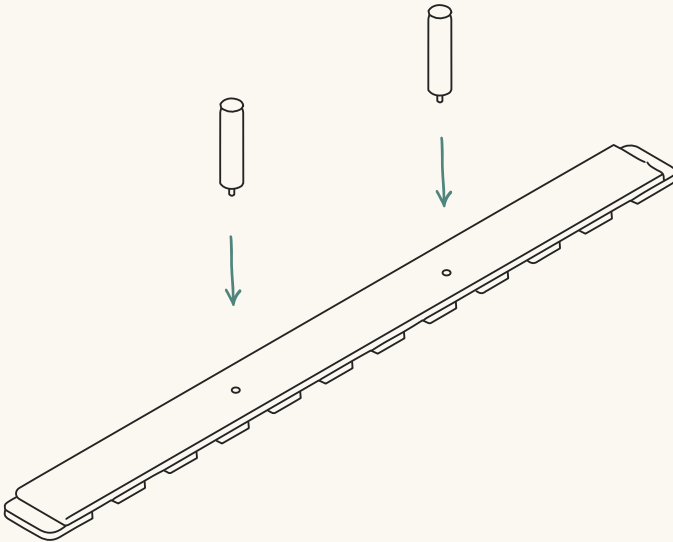
Short hand screws



Long hand screws

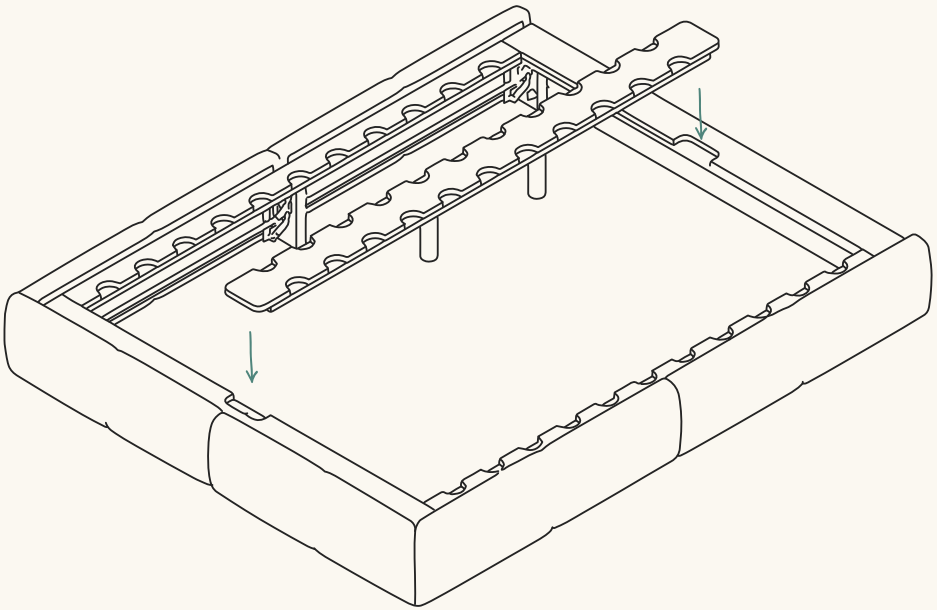
5.

Flip the centre rail and screw in both legs to secure together.



6.

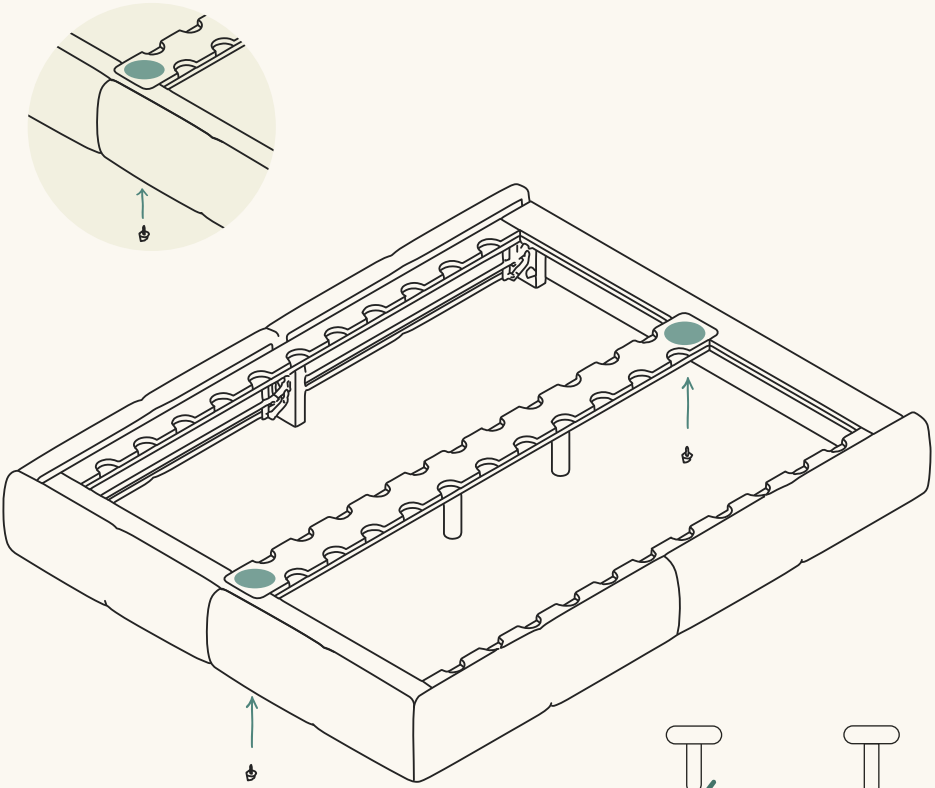
Flip the centre rail and lower into the designated cut outs on the bed base.



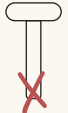
7.

Use the short hand screws to secure the centre rail in place.

Tip: The hand screw holes are located on the underside where the centre rail intersects with the foot and head rail.



Short hand screws

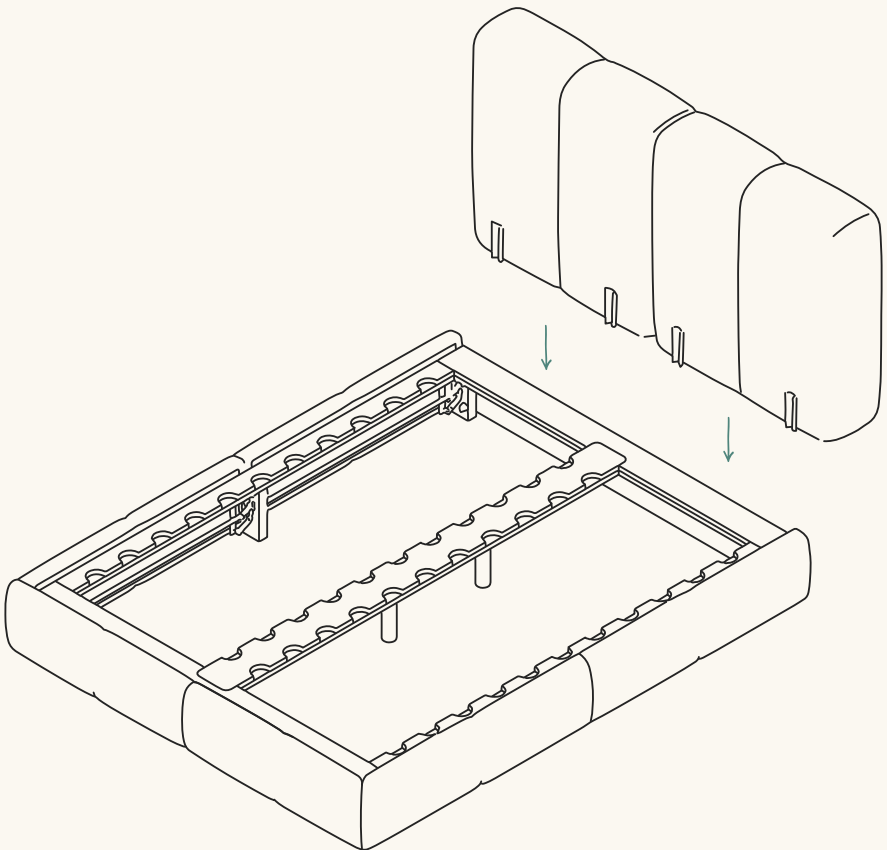


Long hand screws

8.

Align the brackets between the headboard and bed base and slide into place.

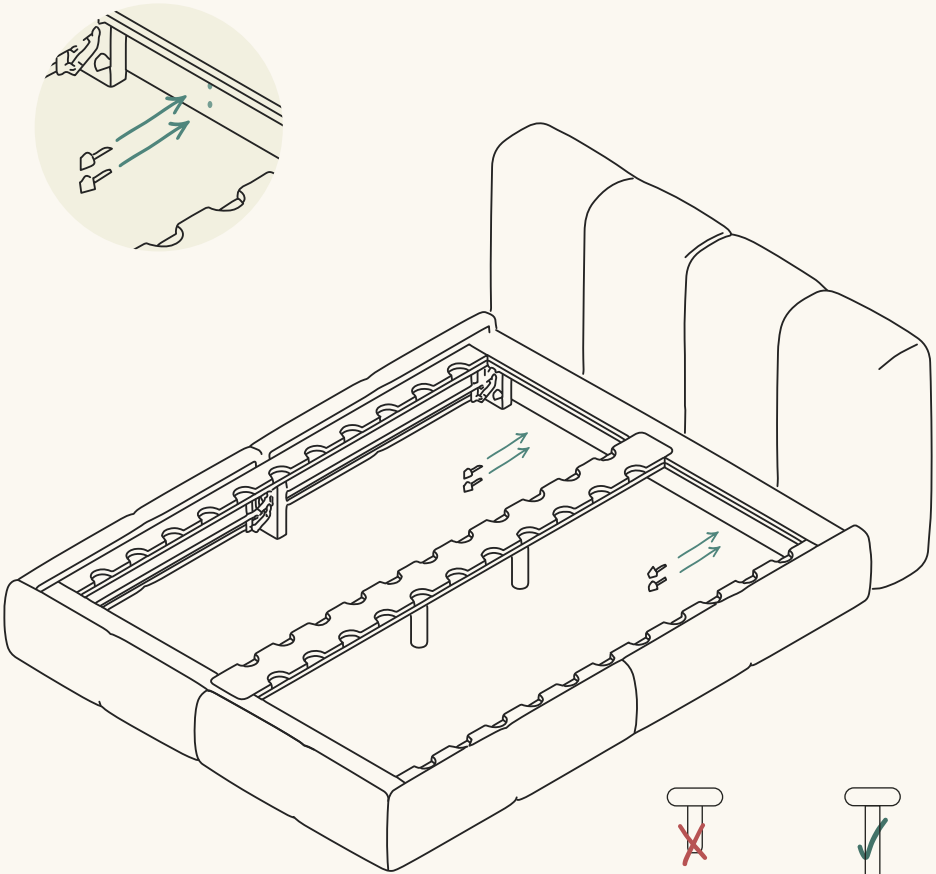
Tip: Make it easier by having one person lift the headboard while another person guides it down to align with the bed base brackets. Do this one headboard at a time.



9.

Use the long hand screws to secure both headboards in place.

Tip: The hand screw holes are located on the panel of the head rail.



Short
hand screws

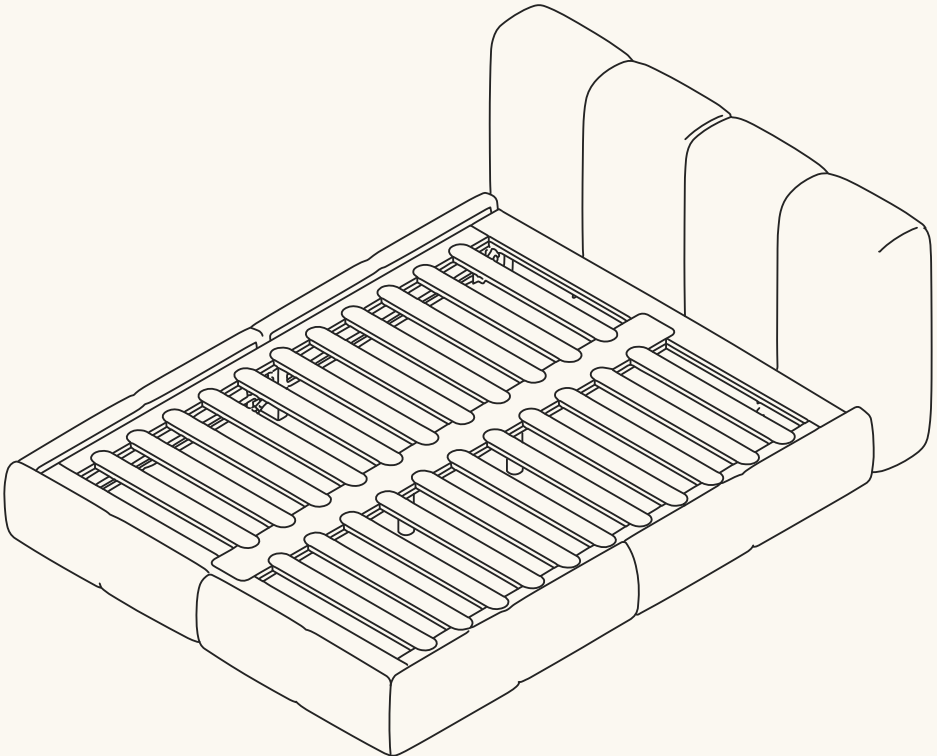


Long
hand screws

10.

Place slats on the bed base.

Caution: Please avoid stepping on the slats after they've been installed.



All done.

Enjoy your Delve Bed Frame!

